

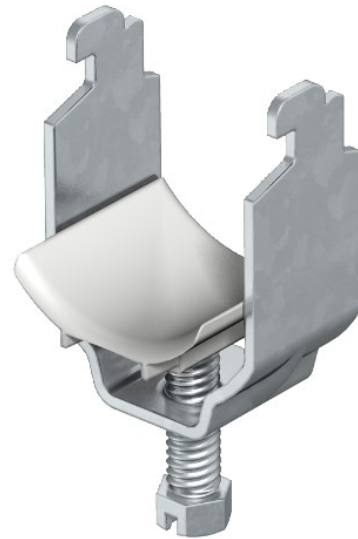


**Electric Automation**  
Automation specialists

Reference: 2056N 28 FT  
Code: 1163280

Clamp clip , 22-28mm, Hot-dip  
galvanised, DIN EN ISO 1461, Steel, St

Buy it at [Electric Automation Network](#)



Suitable for all C profile rails with slot width > 20mm. Clip and bolt made of hot-dip galvanised steel.

Polypropylene pressure trough, halogen-free, colour light grey RAL 7035.