

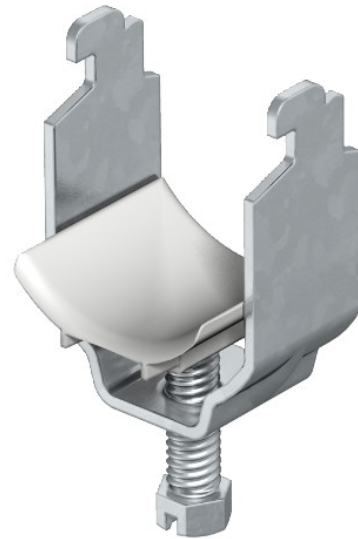


Electric Automation
Automation specialists

Reference: 2056N 16 FT
Code: 1163167

Clamp clip , 12-16mm, Hot-dip
galvanised, DIN EN ISO 1461, Steel, St

Buy it at [Electric Automation Network](#)



Suitable for all C profile rails with slot width > 12mm. Clip and bolt made of hot-dip galvanised steel.

Polypropylene pressure trough, halogen-free, colour light grey RAL 7035.