



**Automatización Eléctrica**

Especialistas en Automatización

At the end of this document you will find links to products related to this catalog. You can go directly to our shop by clicking [HERE](#). [HERE](#)



# 1500W True Sine Wave DC-AC Power Inverter

# TS-1500 series



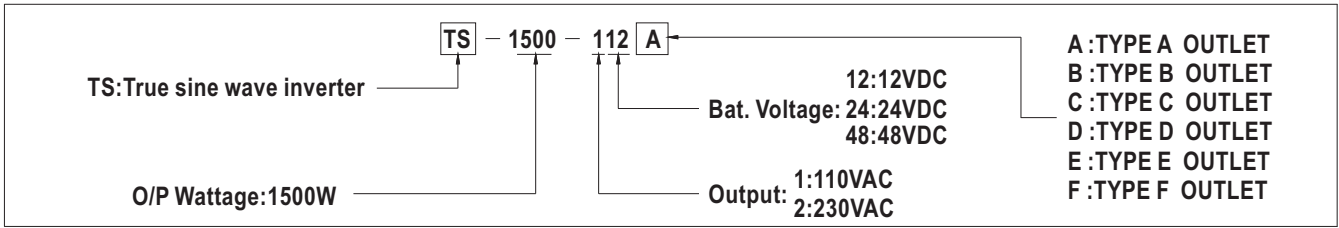
### ■ Features :

- True sine wave output (THD<3%)
- High surge power up to 3000W
- High efficiency up to 91%
- Power ON-OFF switch
- Standby saving mode can be selectable
- Front panel indicator for operation status
- Thermostatically controlled cooling fan
- Protections: Bat. low alarm / Bat. low shutdown / Over voltage / Over temp. / Output short / Input polarity reverse / Overload
- Application : Home appliance, power tools, office and portable equipment, vehicle and yacht ...etc.
- Optional monitoring software
- 3 years warranty



### SPECIFICATION

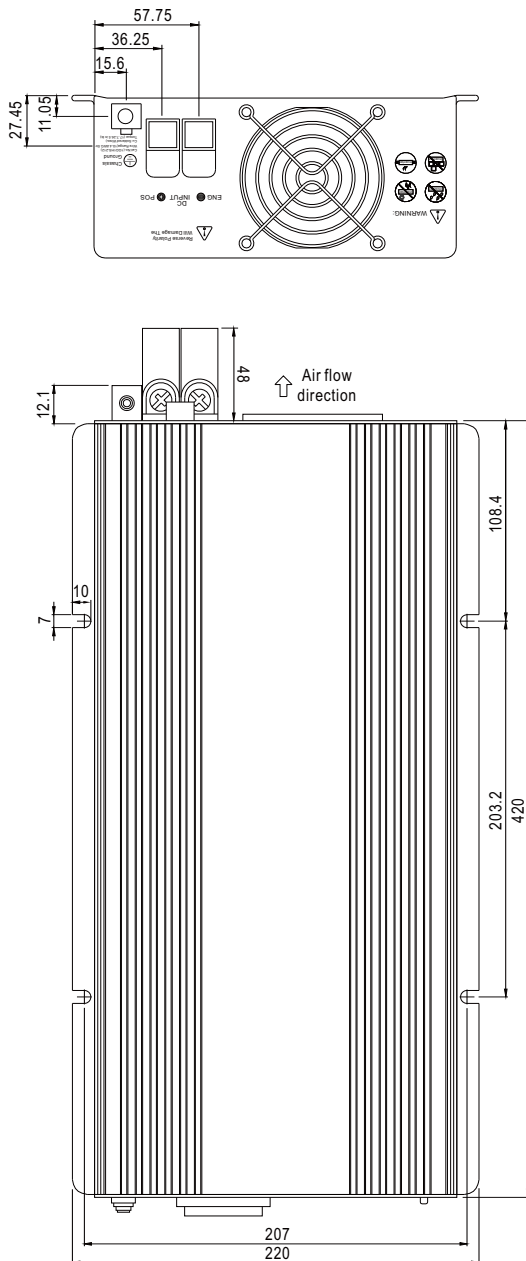
MODEL	TS-1500-112□	TS-1500-124□	TS-1500-148□	TS-1500-212□	TS-1500-224□	TS-1500-248□			
OUTPUT	RATED POWER (Typ.)						1500W		
	MAXIMUM OUTPUT POWER (Typ.)						1725W for 180 sec. / 1875W for 10 sec. / surge power 3000W for 30 cycles		
	AC VOLTAGE			200 / 220 / 230 / 240VAC selectable by setting button			100 / 110 / 115 / 120VAC selectable by setting button		
	FREQUENCY			50 / 60Hz selectable by setting button S.W			60 ± 0.1Hz		
	WAVEFORM						True sine wave (THD<3%)		
	AC REGULATION (Typ.)						±3.0%		
	SAVING MODE (Typ.)						Default disabled. Load ≤ 5W will be changed to standby mode		
FRONT PANEL INDICATOR						Battery voltage level, output load level, saving mode, fault and operation status			
INPUT	BAT. VOLTAGE		12V	24V	48V	12V	24V	48V	
	VOLTAGE RANGE (Typ.)		Note.3,6	10.5 ~ 15VDC	21 ~ 30VDC	42 ~ 60VDC	10.5 ~ 15VDC	21 ~ 30VDC	42 ~ 60VDC
	DC CURRENT (Typ.)		Note.5	150A	75A	37.5A	150A	75A	37.5A
	NO LOAD DISSIPATION (Typ.)						≤ 18W @ standby saving mode		
	OFF MODE CURRENT DRAW						≤ 1mA		
	EFFICIENCY (Typ.)		Note.2	87%	89%	89%	88%	90%	91%
BATTERY TYPES						Open & sealed Lead Acid			
BATTERY INPUT PROTECTION	FUSE		40A*5	30A*3	30A*2	40A*5	30A*3	30A*2	
	BAT. LOW ALARM		11.3 ± 4%	22.5 ± 4%	45 ± 4%	11.3 ± 4%	22.5 ± 4%	45 ± 4%	
	BAT. LOW SHUTDOWN		10.5 ± 4%	21 ± 4%	42 ± 4%	10.5 ± 4%	21 ± 4%	42 ± 4%	
	REVERSE POLARITY						By internal fuse open		
OUTPUT PROTECTION	OVER TEMPERATURE		82°C ± 5°C	82°C ± 5°C	96°C ± 5°C	68°C ± 5°C	68°C ± 5°C	68°C ± 5°C	
	OUTPUT SHORT						Protection type : Shut down o/p voltage, re-power on to recover; by internal RTH3 detect on heatsink of power transistor		
	OVER LOAD (Typ.)						105 ~ 115% load for 180 sec., 115% ~ 125% load for 10 sec.		
	GFCI PROTECTION						UL458 (only for "GFCI" receptacle-Type F)   None		
ENVIRONMENT	WORKING TEMP.		Note.1	0 ~ +40°C @ 100% load ; 60°C @ 50% load					
	WORKING HUMIDITY						20% ~ 90% RH non-condensing		
	STORAGE TEMP., HUMIDITY						-30 ~ +70°C / -22 ~ +158°F, 10 ~ 95% RH		
	VIBRATION						10 ~ 500Hz, 3G 10min./1cycle, 60min. each along X, Y, Z axes		
SAFETY & EMC	SAFETY STANDARDS						UL458 (only for "GFCI" receptacle-Type F)   None		
	LVD						None   EN60950-1		
	WITHSTAND VOLTAGE						Bat I/P - AC O/P:3.0KVAC AC O/P - FG:1.5KVAC		
	EMC EMISSION			Compliance to FCC class A			Compliance to EN55022 class B, 72/ 245/ CEE, 95/ 54/ CE, E-Mark		
	EMC IMMUNITY			None			Compliance to EN61000-4-2,3,8		
OTHERS	CONTROL WIRING						RJ11 -RS232 (Option)		
	DIMENSION						420*220*88mm (L*W*H)		
	PACKING						6.81Kg; 2pcs/14.6Kg/1.61CUFT		
NOTE	1.Output derating capacity referenced by curve 1. 2.TH.D and Efficiency is tested by 1000W, linear load at 13V, 26V, 52V input voltage. 3.Input derating capacity referenced by curve 2. 4.All parameters not specified above are measured at rated load, 25°C of ambient temperature and set to factory setting. 5.DC current is tested by 1500W, linear load at 13V, 26V, 52V input voltage. 6.The tolerance of each voltage value by models is:112/212→±0.5V;124/224→±1V;148/248→±2V								



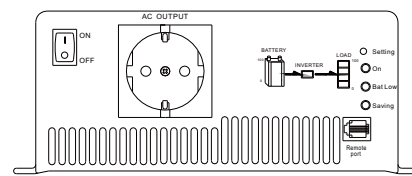
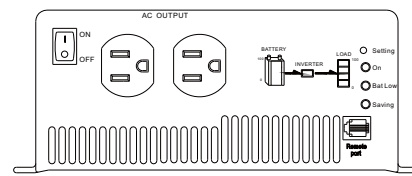
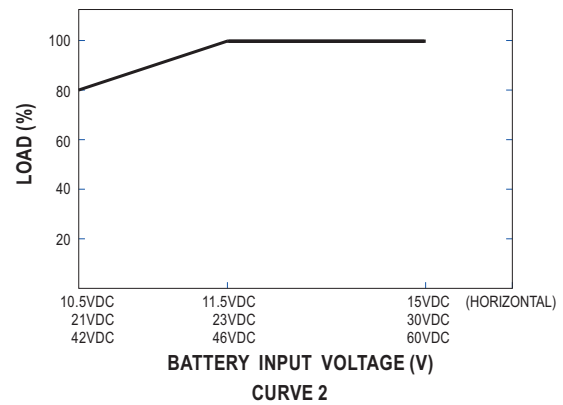
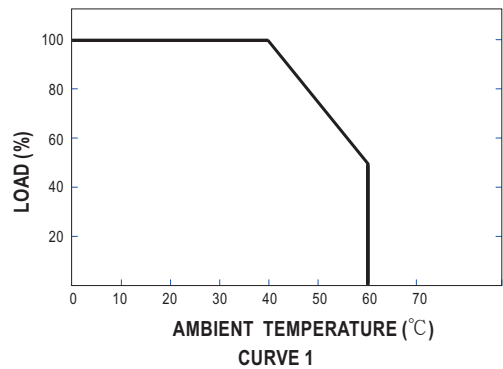
AC Output Receptacles (optional)

Receptacle type						
	TYPE-A	TYPE-B	TYPE-C	TYPE-D	TYPE-E	TYPE-F
Country	USA	EUROPE	AUSTRALIA	U.K	JAPAN	GFCI
Certificate						

Mechanical Specification



Derating Curve





Below is a list of articles with direct links to our shop Electric Automation Network where you can see:

- Quote per purchase volume in real time.
- Online documentation and datasheets of all products.
- Estimated delivery time enquiry in real time.
- Logistics systems for the shipment of materials almost anywhere in the world.
- Purchasing management, order record and tracking of shipments.

To access the product, [click on the green button.](#)

<b>Product</b>	<b>Code</b>	<b>Reference</b>	<b>Product link</b>
Input: 42-60 DC, Output: 1, V1: 230, A1: 6,52	TS1500248B	TS-1500-248B	<a href="#">Buy on EAN</a>
Input: 10,5-15 DC, Output: 1, V1: 110, A1: 13,63	TS1500112A	TS-1500-112A	<a href="#">Buy on EAN</a>
Input: 10,5-15 DC, Output: 1, V1: 230, A1: 6,52	TS1500212B	TS-1500-212B	<a href="#">Buy on EAN</a>
	TS1500124A	TS-1500-124A	<a href="#">Buy on EAN</a>
Input: 21-30 DC, Output: 1, V1: 230, A1: 6,52	TS1500224B	TS-1500-224B	<a href="#">Buy on EAN</a>
Input: 42-60 DC, Output: 1, V1: 110, A1: 13,63	TS1500148A	TS-1500-148A	<a href="#">Buy on EAN</a>