

LUXOMAT® Ecolight 18-WB and 26-WB



18-WB white



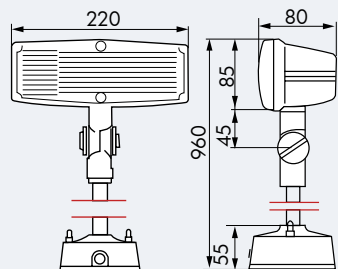
18-WB black



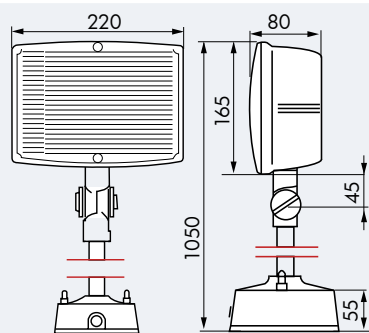
26-WB black



26-WB white



Ecolight 18-WB



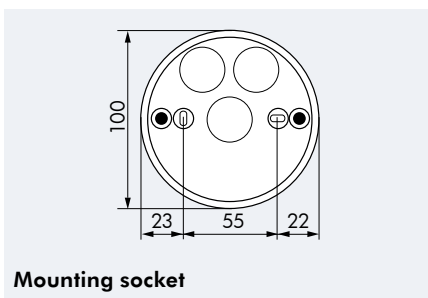
Ecolight 26-WB

TECHNICAL DATA

- 230V~ ±10%
- IP44 / Class II / CE
- 18-WB**
L 100 x W 220 x H 960 mm
- 26-WB**
L 100 x W 220 x H 1050 mm
- 25°C to +50°C
- made of high-quality and UV-resistant polycarbonate
- Lamps**
- 18-WB** PL18W/G24q-2
Luminous flux 1.200 lm
- 26-WB** PL26W/G24q-3
Luminous flux 1.800 lm

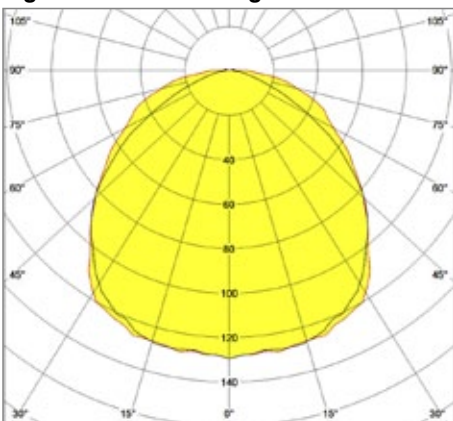
PRODUCT INFORMATION

- **LUXOMAT®** Ecolight 18-WB and Ecolight 26-WB energy-saving floodlight for wall bracket installation
- Approx. 80% lower energy consumption when an 18W energy-saving lamp is used compared with a 100W conventional lamp
- Energy-saving lamps last longer: around 12,000 hours compared with conventional lamps (approx. 1,000 hours); therefore very low maintenance costs
- Very low intrinsic heating due to the electronic ballast's minimal dissipation loss
- Very high light yield thanks to special reflectors
- **Application examples:** façade lighting, company signs, general lighting

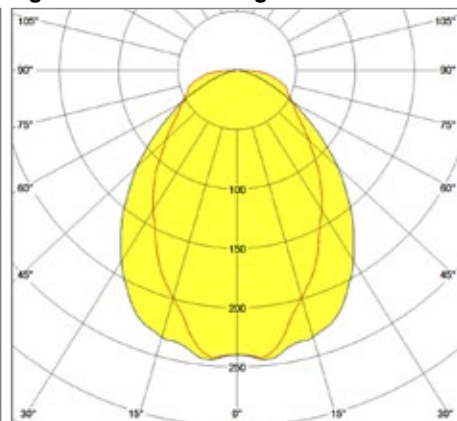


Mounting socket

Light distribution Ecolight 18W



Light distribution Ecolight 26W



Energy and environment balance
sheet see page 42

Description	Colour	Part number
Ecolight 18-WB	black	21040
Ecolight 18-WB	white	21045
Ecolight 26-WB	black	22040
Ecolight 26-WB	white	22045