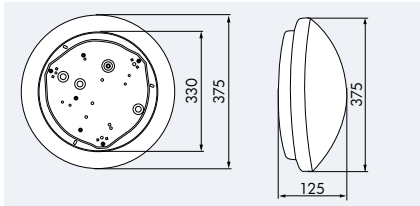


LUXOMAT® HF-L12



With integrated
HF motion detector



■ TECHNICAL DATA

- 230V~ ±10%
- 360°
- max. Ø 0.4 - 8 m
- IP40 / Class I / CE
- Ø 375 x H 125 mm
- 15°C to +30°C
- made of acrylic glass

Lamps

- 2x 18 W G24q-2

Channel 1 (light control)

- Module** 1200 W, $\cos\phi = 1$
- min. - 15 min.
- 2 - 2000 Lux
- 5.8 GHz, <10 mW, ISM band

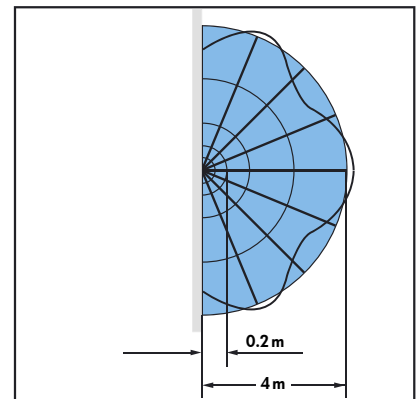
i PRODUCT INFORMATION

- Wall and ceiling light with integrated high-frequency motion detector for invisible light switching
- No light switch required
- 360° or 180° detection angle depending on whether installed in the ceiling or wall
- Range, twilight value and activation time may be set with a potentiometer
- HF technology: 5.8 GHz – reacts to the smallest motion, independently of temperature
- Extremely short activation time
- Light only when needed
- Possible to connect additional lights switched in precisely the same way as the master light
- **Application examples:** corridors, halls, staircases, storage rooms, cellars, toilets

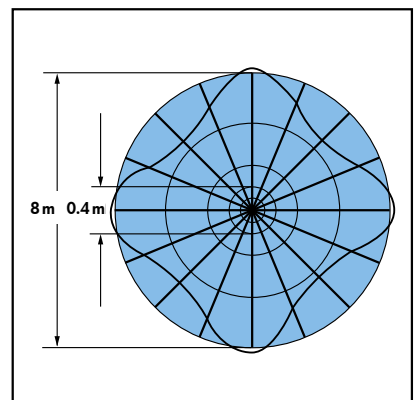
- ▶ Almost the same range of frequency as in W-LAN n (5 GHz) is used. The transmitter output of the sensor is less than 10 mW, which is around 100 times less than the transmitter output of a mobile phone (GSM) or micro-wave.
- ▶ We recommend you to test your application area to check for external influences on the detection area.
- ▶ HF technology: detection through walls possible
- ▶ You'll find more information about our HF motion detectors in the motion and occupancy detector catalogue.
- ▶ Wiring diagrams on page 79!

Energy and environment balance sheet see page 6

Wall installation (mounting height 2.20 m)



Ceiling installation (mounting height 2.50 m)



■ Walking across or towards
The range depends on size and speed of the object.

Description	Colour	Part number
HF-L12 (Acrylic glass)	white	94449