



Automatización Eléctrica
Especialistas en Automatización

At the end of this document you will find links to products related to this catalog. You can go directly to our shop by clicking [HERE](#)

General Information

| | |
|------------------------|-------------------------------|
| Extended Product Type: | CEADO.8 |
| Product ID: | 1SNA399348R2400 |
| EAN: | 3472593993484 |
| Catalog Description: | CEADO.8 Test Connectors Black |

Categories

Products » Low Voltage Products and Systems » Connection Devices » Terminal Blocks Accessories » Test Connectors

Ordering

| | |
|-------------------------|---------------|
| EAN: | 3472593993484 |
| Minimum Order Quantity: | 5 piece |
| Customs Tariff Number: | 85369010 |

Dimensions

| | |
|---------------------|-----|
| Product Net Weight: | 1 g |
|---------------------|-----|

Container Information

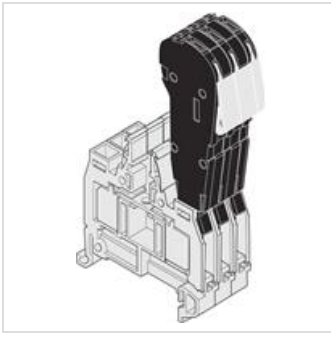
| | |
|-------------------------------|---------------|
| Package Level 1 Units: | 5 piece |
| Package Level 1 Width: | 125 mm |
| Package Level 1 Height: | 5 mm |
| Package Level 1 Length: | 170 mm |
| Package Level 1 Gross Weight: | 0.005 kg |
| Package Level 1 EAN: | 3472593993484 |
| Package Level 2 Units: | 1000 piece |
| Package Level 2 Width: | 300 mm |
| Package Level 2 Height: | 150 mm |
| Package Level 2 Length: | 500 mm |
| Package Level 3 Units: | 48000 piece |
| Product Packing Type: | Bag |

Additional Information

| | |
|------------------------|--|
| Color: | Black |
| Function: | Test Connectors |
| IIT Publishing Status: | Level 0 - Information enabled |
| Mounting on DIN Rail: | G32 (32 x 15 mm Mounting Rail) acc. to IEC 60715 TH35-7.5 (35 x 7.5 mm Mounting Rail) acc. to IEC 60715 TH35-15 (35 x 15 mm Mounting Rail) acc. to IEC 60715 |
| Product Main Type: | CEADO |
| Product Name: | Test Device |
| Spacing: | 5 mm |
| Sub-Function: | For ADO System Blocks |
| Sub-Function 2: | Test Connectors |
| Suitable For: | D1.5/8.SF.ADO D1.5/8.SNN.ADO D2.5/8.ADO D2.5/8.ADO.NF D2.5/8.S.ADO.NF D2.5/8.SNT2.ADO D4/8.SF.I.ADO D4/8.SN.I.ADO D6/8.ADO D6/8.ADO.RS D6/8.D2.ADO |

Classifications

| | |
|-----------------------------|-------------------------------------|
| ETIM 4: | EC002255 - Test plug terminal block |
| ETIM 5: | EC002255 - Test plug terminal block |
| Object Classification Code: | X |



Below is a list of articles with direct links to our shop Electric Automation Network where you can see:

- Quote per purchase volume in real time.
- Online documentation and datasheets of all products.
- Estimated delivery time enquiry in real time.
- Logistics systems for the shipment of materials almost anywhere in the world.
- Purchasing management, order record and tracking of shipments.

To access the product, [click on the green button.](#)

| Product | Code | Reference | Product link |
|-------------------------------|-----------------|------------------|----------------------------|
| CEADO.8 Test Connectors Black | 1SNA399348R2400 | CEADO.8 | Buy on EAN |