



Automatización Eléctrica
Especialistas en Automatización

At the end of this document you will find links to products related to this catalog. You can go directly to our shop by clicking [HERE](#)

General Information

Extended Product Type:	FED1.L
Product ID:	1SNA291302R0300
EAN:	3472592913025
Catalog Description:	FED1.L-OR End Sections Orange
Long Description:	FED1.L - End Sections - Orange - 1.5mm Spacing.

Categories

Products » Low Voltage Products and Systems » Connection Devices » Terminal Blocks Accessories » End Sections

Ordering

Minimum Order Quantity:	20 piece
Customs Tariff Number:	39269097
Color:	Orange

Dimensions

Product Net Height:	33 mm
Product Net Depth:	24.5 mm
Product Net Weight:	1.4 g
Product Net Width:	1.5 mm

Technical

Spacing:	1.5 mm
Function:	End Sections
Mounting on DIN Rail:	G32 (32 x 15 mm Mounting Rail) acc. to IEC 60715 TH35-7.5 (35 x 7.5 mm Mounting Rail) acc. to IEC 60715 TH35-15 (35 x 15 mm Mounting Rail) acc. to IEC 60715
Suitable For:	DH2.5/10.4L DH2.5/5.2L DR2.5/10.4L DR2.5/10.P.4L DR2.5/5.2L DS2.5/10.4L DS2.5/5.2L

Environmental

RoHS Status:	Following EU Directive 2002/95/EC August 18, 2005 and amendment
--------------	---

Certificates and Declarations (Document Number)

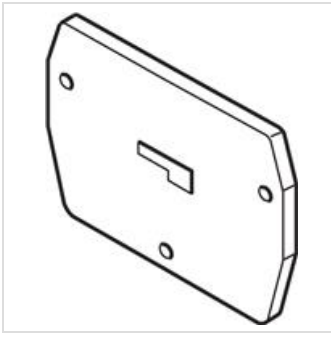
RoHS Information:	1SND230478F0202
-------------------	-----------------

Classifications

ETIM 4:	EC000886 - Endplate and partition plate for terminal block
ETIM 5:	EC000886 - Endplate and partition plate for terminal block
Object Classification Code:	X

Container Information

Package Level 1 Width:	168 mm
Package Level 1 Length:	250 mm
Package Level 1 Gross Weight:	0.028 kg
Package Level 1 EAN:	3472592913025
Package Level 2 Units:	2000 piece
Product Packing Type:	Bag
Package Level 1 Units:	20 piece



Below is a list of articles with direct links to our shop Electric Automation Network where you can see:

- Quote per purchase volume in real time.
- Online documentation and datasheets of all products.
- Estimated delivery time enquiry in real time.
- Logistics systems for the shipment of materials almost anywhere in the world.
- Purchasing management, order record and tracking of shipments.

To access the product, [click on the green button.](#)

Product	Code	Reference	Product link
FED1.L-OR End Sections Orange	1SNA291302R0300	FED1 L ORANGE	Buy on EAN