



Automatización Eléctrica
Especialistas en Automatización

At the end of this document you will find links to products related to this catalog. You can go directly to our shop by clicking [HERE](#)

General Information

| | |
|------------------------|---------------------------------|
| Extended Product Type: | FEAD4 |
| Product ID: | 1SNA199439R2000 |
| EAN: | 3472591994391 |
| Catalog Description: | FEAD4 End Section Kits Grey |
| Long Description: | FEAD4 - End Section Kits - Grey |

Categories

Products » Low Voltage Products and Systems » Connection Devices » Terminal Blocks Accessories » End Section Kits

Ordering

| | |
|-------------------------|----------|
| Minimum Order Quantity: | 20 piece |
| Customs Tariff Number: | 85369010 |
| Color: | Grey |

Dimensions

| | |
|---------------------|-----|
| Product Net Weight: | 3 g |
|---------------------|-----|

Technical

| | |
|-----------------------|--|
| Function: | End Sections |
| Insulation Material: | Polyamide |
| Mounting on DIN Rail: | G32 (32 x 15 mm Mounting Rail) acc. to IEC 60715 TH35-7.5 (35 x 7.5 mm Mounting Rail) acc. to IEC 60715 TH35-15 (35 x 15 mm Mounting Rail) acc. to IEC 60715 |

Environmental

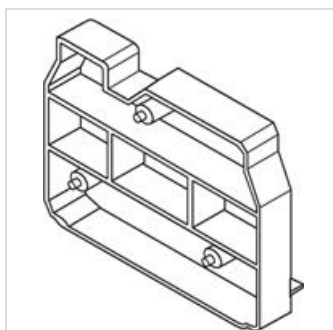
| | |
|--------------------------|--|
| Ambient Air Temperature: | Operation -55 ... +110 °C Storage -55 ... +110 °C |
|--------------------------|--|

Classifications

| | |
|-----------------------------|--|
| ETIM 4: | EC000886 - Endplate and partition plate for terminal block |
| ETIM 5: | EC000886 - Endplate and partition plate for terminal block |
| Object Classification Code: | X |

Container Information

| | |
|-------------------------------|---------------|
| Package Level 1 Width: | 155 mm |
| Package Level 1 Length: | 200 mm |
| Package Level 1 Height: | 5 mm |
| Package Level 1 Gross Weight: | 0.06 kg |
| Package Level 1 EAN: | 3472591994391 |
| Package Level 2 Units: | 2000 piece |
| Package Level 2 Width: | 300 mm |
| Package Level 2 Length: | 500 mm |
| Package Level 2 Height: | 150 mm |
| Package Level 3 Units: | 96000 piece |
| Product Packing Type: | Bag |
| Package Level 1 Units: | 20 piece |



Below is a list of articles with direct links to our shop Electric Automation Network where you can see:

- Quote per purchase volume in real time.
- Online documentation and datasheets of all products.
- Estimated delivery time enquiry in real time.
- Logistics systems for the shipment of materials almost anywhere in the world.
- Purchasing management, order record and tracking of shipments.

To access the product, [click on the green button.](#)

| Product | Code | Reference | Product link |
|-----------------------------|-----------------|----------------|----------------------------|
| FEAD4 End Section Kits Grey | 1SNA199439R2000 | KIT FEAD4 GRIS | Buy on EAN |