



Automatización Eléctrica
Especialistas en Automatización

At the end of this document you will find links to products related to this catalog. You can go directly to our shop by clicking [HERE](#)

General Information

Extended Product Type:	FEET60-BE
Product ID:	1SNA197755R2200
EAN:	3472591977554
Catalog Description:	FEET60-BE End Sections Beige
Long Description:	FEET60-BE - End Sections - Beige - 1.5mm Spacing

Categories

Products » Low Voltage Products and Systems » Connection Devices » Terminal Blocks Accessories » End Sections

Ordering

EAN:	3472591977554
Minimum Order Quantity:	10 piece
Customs Tariff Number:	39269097

Dimensions

Product Net Weight:	5 g
---------------------	-----

Container Information

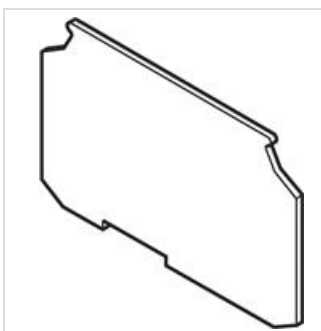
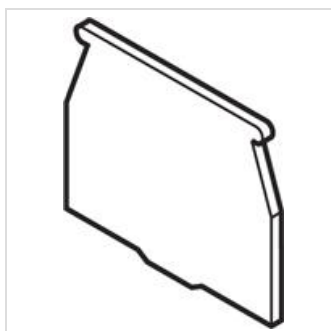
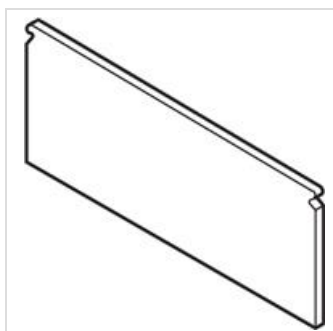
Package Level 1 Units:	10 piece
Package Level 1 Gross Weight:	0.05 kg
Package Level 1 EAN:	3472591977554
Package Level 2 Units:	400 piece

Additional Information

Color:	Beige
Function:	End Sections
IIT Publishing Status:	Level 0 - Information enabled
Mounting on DIN Rail:	G32 (32 x 15 mm Mounting Rail) acc. to IEC 60715 TH35-7.5 (35 x 7.5 mm Mounting Rail) acc. to IEC 60715 TH35-15 (35 x 15 mm Mounting Rail) acc. to IEC 60715
Product Main Type:	FEE
Product Name:	End Section
Spacing:	1.5 mm

Classifications

ETIM 4:	EC000886 - Endplate and partition plate for terminal block
ETIM 5:	EC000886 - Endplate and partition plate for terminal block
Object Classification Code:	X



Below is a list of articles with direct links to our shop Electric Automation Network where you can see:

- Quote per purchase volume in real time.
- Online documentation and datasheets of all products.
- Estimated delivery time enquiry in real time.
- Logistics systems for the shipment of materials almost anywhere in the world.
- Purchasing management, order record and tracking of shipments.

To access the product, [click on the green button.](#)

Product	Code	Reference	Product link
FEET60-BE End Sections Beige	1SNA197755R2200	FEET 60 V0	Buy on EAN