



Automatización Eléctrica
Especialistas en Automatización

At the end of this document you will find links to products related to this catalog. You can go directly to our shop by clicking [HERE](#)

General Information

Extended Product Type:	FEM13F-BE
Product ID:	1SNA196977R1000
EAN:	3472591969771
Catalog Description:	FEM13F-BE End Sections Beige
Long Description:	FEM13F-BE - End Sections - Beige - 1mm Spacing

Categories

Products » Low Voltage Products and Systems » Connection Devices » Terminal Blocks Accessories » End Sections

Ordering

Minimum Order Quantity:	25 piece
Customs Tariff Number:	39269097
Color:	Beige

Dimensions

Product Net Weight:	1.4 g
---------------------	-------

Technical

Spacing:	1 mm
Function:	End Sections
Mounting on DIN Rail:	G32 (32 x 15 mm Mounting Rail) acc. to IEC 60715 TH35-7.5 (35 x 7.5 mm Mounting Rail) acc. to IEC 60715 TH35-15 (35 x 15 mm Mounting Rail) acc. to IEC 60715

Certificates and Declarations (Document Number)

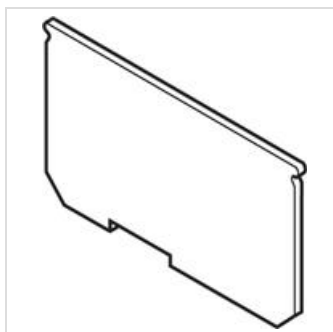
RoHS Information:	1SND230478F0202
-------------------	-----------------

Classifications

ETIM 4:	EC000886 - Endplate and partition plate for terminal block
ETIM 5:	EC000886 - Endplate and partition plate for terminal block
Object Classification Code:	X

Container Information

Package Level 1 Width:	155 mm
Package Level 1 Length:	200 mm
Package Level 1 Height:	5 mm
Package Level 1 Gross Weight:	0.035 kg
Package Level 1 EAN:	3472591969771
Package Level 2 Units:	600 piece
Package Level 2 Width:	200 mm
Package Level 2 Length:	300 mm
Package Level 2 Height:	200 mm
Product Packing Type:	Bag
Package Level 1 Units:	25 piece



Below is a list of articles with direct links to our shop Electric Automation Network where you can see:

- Quote per purchase volume in real time.
- Online documentation and datasheets of all products.
- Estimated delivery time enquiry in real time.
- Logistics systems for the shipment of materials almost anywhere in the world.
- Purchasing management, order record and tracking of shipments.

To access the product, [click on the green button.](#)

Product	Code	Reference	Product link
FEM13F-BE End Sections Beige	1SNA196977R1000	FEM13F V0	Buy on EAN