



Automatización Eléctrica
Especialistas en Automatización

At the end of this document you will find links to products related to this catalog. You can go directly to our shop by clicking [HERE](#)

General Information

Extended Product Type:	OUMAD.SD
Product ID:	1SNA176231R2700
EAN:	3472591762310
Catalog Description:	OUMAD.SD Tools

Categories

Products » Low Voltage Products and Systems » Connection Devices » Terminal Blocks Accessories » Tools

Ordering

Minimum Order Quantity:	1 piece
Customs Tariff Number:	85389099

Dimensions

Product Net Weight:	48 g
---------------------	------

Technical

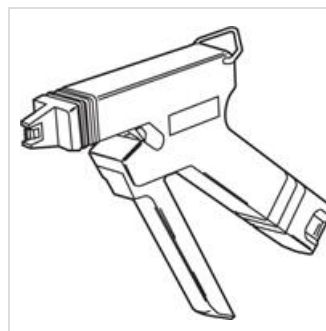
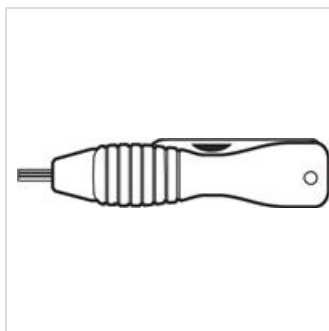
Mounting on DIN Rail:	G32 (32 x 15 mm Mounting Rail) acc. to IEC 60715 TH35-7.5 (35 x 7.5 mm Mounting Rail) acc. to IEC 60715 TH35-15 (35 x 15 mm Mounting Rail) acc. to IEC 60715
-----------------------	--

Classifications

Object Classification Code:	X
-----------------------------	---

Container Information

Package Level 1 Width:	155 mm
Package Level 1 Length:	200 mm
Package Level 1 Height:	5 mm
Package Level 1 Gross Weight:	0.048 kg
Package Level 1 EAN:	3472591762310
Package Level 2 Units:	20 piece
Product Packing Type:	Bag
Package Level 1 Units:	1 piece



Below is a list of articles with direct links to our shop Electric Automation Network where you can see:

- Quote per purchase volume in real time.
- Online documentation and datasheets of all products.
- Estimated delivery time enquiry in real time.
- Logistics systems for the shipment of materials almost anywhere in the world.
- Purchasing management, order record and tracking of shipments.

To access the product, [click on the green button.](#)

Product	Code	Reference	Product link
OUMAD.SD Tools	1SNA176231R2700	OUMAD	Buy on EAN