



Automatización Eléctrica
Especialistas en Automatización

At the end of this document you will find links to products related to this catalog. You can go directly to our shop by clicking [HERE](#)

General Information

Extended Product Type:	BJM5-DR-4
Product ID:	1SNA176057R2400
EAN:	3472591760576
Catalog Description:	BJM 5 DR 4 POLES Jumper Bars
Long Description:	BJM5-DR-4 - Jumper Bars - 4 poles - - 5mm Spacing

Categories

Products » Low Voltage Products and Systems » Connection Devices » Terminal Blocks Accessories » Jumper Bars

Ordering

EAN:	3472591760576
Minimum Order Quantity:	10 piece
Customs Tariff Number:	85369010

Dimensions

Product Net Weight:	4 g
---------------------	-----

Container Information

Package Level 1 Units:	10 piece
Package Level 1 Width:	155 mm
Package Level 1 Height:	5 mm
Package Level 1 Length:	200 mm
Package Level 1 Gross Weight:	0.04 kg
Package Level 1 EAN:	3472591760576
Package Level 2 Units:	1000 piece
Package Level 2 Width:	300 mm
Package Level 2 Height:	150 mm
Package Level 2 Length:	500 mm
Package Level 3 Units:	48000 piece
Product Packing Type:	Bag

Additional Information

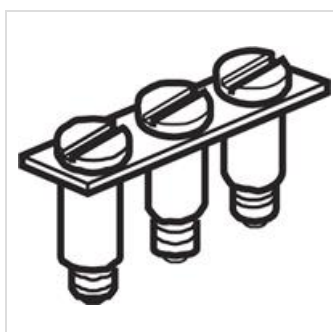
Function:	Jumper Bars
IIT Publishing Status:	Level 0 - Information enabled
Mounting on DIN Rail:	G32 (32 x 15 mm Mounting Rail) acc. to IEC 60715 TH35-7.5 (35 x 7.5 mm Mounting Rail) acc. to IEC 60715 TH35-15 (35 x 15 mm Mounting Rail) acc. to IEC 60715
Product Main Type:	BJM
Product Name:	Jumper Bar
Rated Current (I _n):	Main Circuit 24 A

Certificates and Declarations (Document Number)

Data Sheet, Technical Information: 1SNC160001C0207-CH-J Accessories

Classifications

ETIM 4:	EC000489 - Cross-connector for terminal block
ETIM 5:	EC000489 - Cross-connector for terminal block
Object Classification Code:	X



Below is a list of articles with direct links to our shop Electric Automation Network where you can see:

- Quote per purchase volume in real time.
- Online documentation and datasheets of all products.
- Estimated delivery time enquiry in real time.
- Logistics systems for the shipment of materials almost anywhere in the world.
- Purchasing management, order record and tracking of shipments.

To access the product, [click on the green button.](#)

Product	Code	Reference	Product link
BJM 5 DR 4 POLES Jumper Bars	1SNA176057R2400	BJM 5 DR 4	Buy on EAN