



**Automatización Eléctrica**  
Especialistas en Automatización

At the end of this document you will find links to products related to this catalog. You can go directly to our shop by clicking [HERE](#)

### General Information

Extended Product Type:	BJM5-DR-3
Product ID:	1SNA176056R2300
EAN:	3472591760569
Catalog Description:	BJM 5 DR 3 POLES Jumper Bars
Long Description:	BJM5-DR-3 - Jumper Bars - 3 poles - - 5mm Spacing

### Categories

Products » Low Voltage Products and Systems » Connection Devices » Terminal Blocks Accessories » Jumper Bars

### Ordering

Minimum Order Quantity:	10 piece
Customs Tariff Number:	85369010

### Dimensions

Product Net Weight:	3 g
---------------------	-----

### Technical

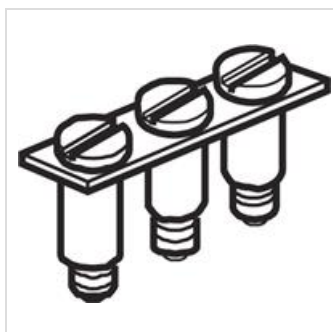
Function:	Jumper Bars
Rated Current ( $I_n$ ):	Main Circuit 24 A
Mounting on DIN Rail:	G32 (32 x 15 mm Mounting Rail) acc. to IEC 60715 TH35-7.5 (35 x 7.5 mm Mounting Rail) acc. to IEC 60715 TH35-15 (35 x 15 mm Mounting Rail) acc. to IEC 60715

### Classifications

ETIM 4:	EC000489 - Cross-connector for terminal block
ETIM 5:	EC000489 - Cross-connector for terminal block
Object Classification Code:	X

### Container Information

Package Level 1 Width:	155 mm
Package Level 1 Length:	200 mm
Package Level 1 Height:	5 mm
Package Level 1 Gross Weight:	0.03 kg
Package Level 1 EAN:	3472591760569
Package Level 2 Units:	1000 piece
Package Level 2 Width:	300 mm
Package Level 2 Length:	500 mm
Package Level 2 Height:	150 mm
Package Level 3 Units:	48000 piece
Product Packing Type:	Bag
Package Level 1 Units:	10 piece



Below is a list of articles with direct links to our shop Electric Automation Network where you can see:

- Quote per purchase volume in real time.
- Online documentation and datasheets of all products.
- Estimated delivery time enquiry in real time.
- Logistics systems for the shipment of materials almost anywhere in the world.
- Purchasing management, order record and tracking of shipments.

To access the product, [click on the green button.](#)

Product	Code	Reference	Product link
BJM 5 DR 3 POLES Jumper Bars	1SNA176056R2300	BJM 5 DR 3	<a href="#">Buy on EAN</a>