



Automatización Eléctrica
Especialistas en Automatización

At the end of this document you will find links to products related to this catalog. You can go directly to our shop by clicking [HERE](#)

General Information

Extended Product Type:	CPP261
Product ID:	1SNA168202R1300
EAN:	3472591682021
Catalog Description:	CPP261 Protecting Covers Transparent

Categories

Products » Low Voltage Products and Systems » Connection Devices » Terminal Blocks Accessories » Protecting Covers

Ordering

Minimum Order Quantity:	5 piece
Customs Tariff Number:	39269097
Color:	Transparent

Dimensions

Product Net Weight:	5 g
---------------------	-----

Technical

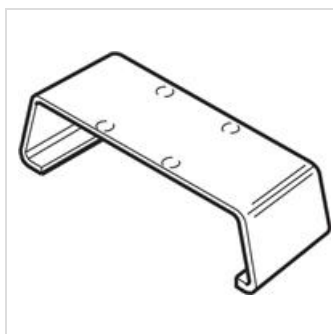
Function:	Protecting Covers
Mounting on DIN Rail:	G32 (32 x 15 mm Mounting Rail) acc. to IEC 60715 TH35-7.5 (35 x 7.5 mm Mounting Rail) acc. to IEC 60715 TH35-15 (35 x 15 mm Mounting Rail) acc. to IEC 60715

Classifications

Object Classification Code:	X
-----------------------------	---

Container Information

Package Level 1 Gross Weight:	0.025 kg
Package Level 1 EAN:	3472591682021
Package Level 2 Units:	200 piece
Package Level 1 Units:	5 piece



Below is a list of articles with direct links to our shop Electric Automation Network where you can see:

- Quote per purchase volume in real time.
- Online documentation and datasheets of all products.
- Estimated delivery time enquiry in real time.
- Logistics systems for the shipment of materials almost anywhere in the world.
- Purchasing management, order record and tracking of shipments.

To access the product, [click on the green button.](#)

Product	Code	Reference	Product link
CPP261 Protecting Covers Transparent	1SNA168202R1300	CPP 261	Buy on EAN