



Automatización Eléctrica
Especialistas en Automatización

At the end of this document you will find links to products related to this catalog. You can go directly to our shop by clicking [HERE](#)

General Information

Extended Product Type:	IR1
Product ID:	1SNA167622R2600
EAN:	3472591676228
Catalog Description:	IR1 Adaptors
Long Description:	IR1 Adaptors

Categories

Products » Low Voltage Products and Systems » Connection Devices » Test Blocks Accessories » Adaptors

Ordering

Minimum Order Quantity:	5 piece
Customs Tariff Number:	85369010

Dimensions

Product Net Height:	17 mm
Product Net Depth:	54 mm
Product Net Weight:	15 g
Product Net Width:	9 mm

Technical

Mounting on DIN Rail:	G32 (32 x 15 mm Mounting Rail) acc. to IEC 60715 TH35-7.5 (35 x 7.5 mm Mounting Rail) acc. to IEC 60715 TH35-15 (35 x 15 mm Mounting Rail) acc. to IEC 60715
-----------------------	--

Certificates and Declarations (Document Number)

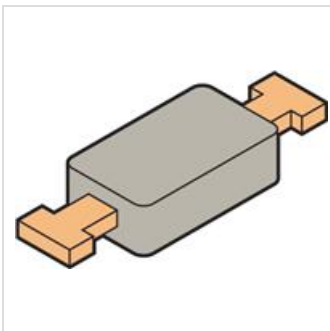
Declaration of Conformity - CE:	1SND225040C1005
---------------------------------	-----------------

Classifications

ETIM 4:	EC000902 - (Knife) disconnect terminal block
ETIM 5:	EC000902 - (Knife) disconnect terminal block
Object Classification Code:	X

Container Information

Package Level 1 Gross Weight:	0.075 kg
Package Level 1 EAN:	3472591676228
Package Level 2 Units:	300 piece
Package Level 1 Units:	5 piece



Below is a list of articles with direct links to our shop Electric Automation Network where you can see:

- Quote per purchase volume in real time.
- Online documentation and datasheets of all products.
- Estimated delivery time enquiry in real time.
- Logistics systems for the shipment of materials almost anywhere in the world.
- Purchasing management, order record and tracking of shipments.

To access the product, [click on the green button.](#)

Product	Code	Reference	Product link
IR1 Adaptors	1SNA167622R2600	IR1	Buy on EAN