



**Automatización Eléctrica**  
Especialistas en Automatización

At the end of this document you will find links to products related to this catalog. You can go directly to our shop by clicking [HERE](#)

### General Information

Extended Product Type:	CPP423
Product ID:	1SNA163424R1400
EAN:	3472591634242
Catalog Description:	CPP423 Protecting Covers Transparent

### Categories

Products » Low Voltage Products and Systems » Connection Devices » Terminal Blocks Accessories » Protecting Covers

### Ordering

EAN:	3472591634242
Minimum Order Quantity:	5 piece
Customs Tariff Number:	39269097

### Dimensions

Product Net Weight:	40 g
---------------------	------

### Container Information

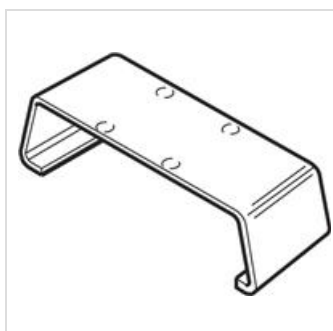
Package Level 1 Units:	5 piece
Package Level 1 Gross Weight:	0.2 kg
Package Level 1 EAN:	3472591634242
Package Level 2 Units:	50 piece
Package Level 3 Units:	2400 piece

### Additional Information

Color:	Transparent
Function:	Protecting Covers
IIT Publishing Status:	Level 0 - Information enabled
Mounting on DIN Rail:	G32 (32 x 15 mm Mounting Rail) acc. to IEC 60715 TH35-7.5 (35 x 7.5 mm Mounting Rail) acc. to IEC 60715 TH35-15 (35 x 15 mm Mounting Rail) acc. to IEC 60715
Product Main Type:	CPP
Product Name:	Cover
Suitable For:	M300/42.AF M300/42.F M300/42.FF

### Classifications

Object Classification Code:	X
-----------------------------	---



Below is a list of articles with direct links to our shop Electric Automation Network where you can see:

- Quote per purchase volume in real time.
- Online documentation and datasheets of all products.
- Estimated delivery time enquiry in real time.
- Logistics systems for the shipment of materials almost anywhere in the world.
- Purchasing management, order record and tracking of shipments.

To access the product, [click on the green button.](#)

<b>Product</b>	<b>Code</b>	<b>Reference</b>	<b>Product link</b>
CPP423 Protecting Covers Transparent	1SNA163424R1400	CPP 423	<a href="#">Buy on EAN</a>