



Automatización Eléctrica
Especialistas en Automatización

At the end of this document you will find links to products related to this catalog. You can go directly to our shop by clicking [HERE](#)

General Information

Extended Product Type:	PEH
Product ID:	1SNA163211R2600
EAN:	3472591632118
Catalog Description:	PEH Terminal Block Markers

Categories

Products » Low Voltage Products and Systems » Connection Devices » Markers and Marking Systems » Terminal Block Markers

Ordering

EAN:	3472591632118
Minimum Order Quantity:	10 piece
Customs Tariff Number:	39269097

Dimensions

Product Net Width:	40 mm
Product Net Height:	5 mm
Product Net Length:	40 mm
Product Net Weight:	382 g

Container Information

Package Level 1 Units:	10 piece
Package Level 1 Gross Weight:	3.82 kg
Package Level 1 EAN:	3472591632118
Package Level 2 Units:	2500 piece
Package Level 3 Units:	252000 piece

Environmental

RoHS Status:	Following EU Directive 2011/65/EC
--------------	-----------------------------------

Additional Information

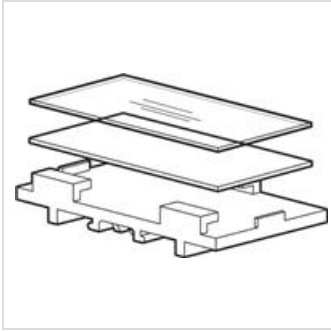
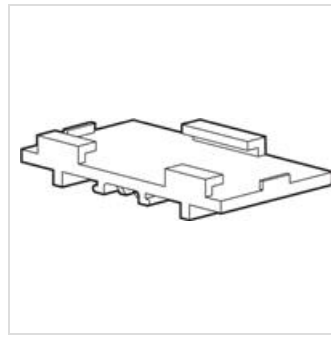
Color:	Transparent
IIT Publishing Status:	Level 0 - Information enabled
Product Main Type:	PE
Product Name:	Marking Accessory
RoHS Date:	20140203
Suitable For:	BADH BADL BAH BAM2 BAM4 BAMH

Certificates and Declarations (Document Number)

Data Sheet, Technical Information:	1SNC160023C0201
Declaration of Conformity - CE:	1SND225156C1000
RoHS Information:	1SND230010F0204

Classifications

ETIM 4:	EC000761 - Labelling for terminal block
ETIM 5:	EC000761 - Labelling for terminal block



Below is a list of articles with direct links to our shop Electric Automation Network where you can see:

- Quote per purchase volume in real time.
- Online documentation and datasheets of all products.
- Estimated delivery time enquiry in real time.
- Logistics systems for the shipment of materials almost anywhere in the world.
- Purchasing management, order record and tracking of shipments.

To access the product, [click on the green button.](#)

Product	Code	Reference	Product link
PEH Terminal Block Markers	1SNA163211R2600	PEH	Buy on EAN