



**Automatización Eléctrica**  
Especialistas en Automatización

At the end of this document you will find links to products related to this catalog. You can go directly to our shop by clicking [HERE](#)

### General Information

Extended Product Type:	H70/22.F8.31
Product ID:	1SNA162975R2300
EAN:	3472591629750
Catalog Description:	H70/22.F8.31 Railway Terminal Blocks
Long Description:	H70/22.F8.31 Railway Terminal Blocks Feed-through

### Categories

Products » Low Voltage Products and Systems » Connection Devices » Terminal Blocks » Railway Terminal Blocks

### Ordering

Minimum Order Quantity:	25 piece
Customs Tariff Number:	85369010
EAN:	3472591629750

### Dimensions

Product Net Height:	38 mm
Product Net Depth:	39.5 mm
Product Net Weight:	39 g
Product Net Width:	22 mm

### Container Information

Package Level 1 Width:	150 mm
Package Level 1 Length:	250 mm
Package Level 1 Height:	5 mm
Package Level 1 Gross Weight:	0.975 kg
Package Level 1 EAN:	3472591629750
Package Level 2 Units:	500 piece
Package Level 3 Units:	24000 piece
Product Packing Type:	Bag
Package Level 1 Units:	25 piece

### Technical

Spacing:	23.2 mm
Connection Type:	Stud
Function:	Feed-through
Number of Levels:	1
Mounting on DIN Rail:	G32 (32 x 15 mm Mounting Rail) acc. to IEC 60715 TH35-7.5 (35 x 7.5 mm Mounting Rail) acc. to IEC 60715 TH35-15 (35 x 15 mm Mounting Rail) acc. to IEC 60715
Tightening Torque:	Manufacturer 13.4 N·m
Rated Cross-Section:	70 mm <sup>2</sup>

### Technical UL/CSA

Flammability According to UL94:	V0
---------------------------------	----

### Environmental

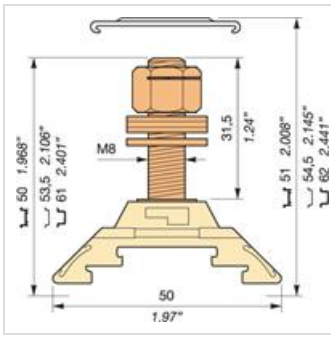
RoHS Status:	Planned to follow EU Directive 2002/95/EC August 18, 2005 and amendment after 2007 Q1
--------------	---

### Certificates and Declarations (Document Number)

Declaration of Conformity - CE:	1SND225026C1006
EAC Certificate:	1SND161009A1100
RoHS Information:	1SND230014F0201

### Classifications

ETIM 4:	EC000897 - Feed-through terminal block
ETIM 5:	EC000897 - Feed-through terminal block
Object Classification Code:	X



Below is a list of articles with direct links to our shop Electric Automation Network where you can see:

- Quote per purchase volume in real time.
- Online documentation and datasheets of all products.
- Estimated delivery time enquiry in real time.
- Logistics systems for the shipment of materials almost anywhere in the world.
- Purchasing management, order record and tracking of shipments.

To access the product, [click on the green button.](#)

<b>Product</b>	<b>Code</b>	<b>Reference</b>	<b>Product link</b>
H70/22.F8.31 Railway Terminal Blocks	1SNA162975R2300	H70/22.F8.31	<a href="#">Buy on EAN</a>