



Automatización Eléctrica
Especialistas en Automatización

At the end of this document you will find links to products related to this catalog. You can go directly to our shop by clicking [HERE](#)

General Information

Extended Product Type:	PEBP
Product ID:	1SNA116914R0000
EAN:	3472591169140
Catalog Description:	PEBP Terminal Block Markers

Categories

Products » Low Voltage Products and Systems » Connection Devices » Markers and Marking Systems » Terminal Block Markers

Ordering

Minimum Order Quantity:	50 piece
Customs Tariff Number:	39269097

Dimensions

Product Net Weight:	8.1 g
---------------------	-------

Environmental

RoHS Status:	Following EU Directive 2011/65/EC
--------------	-----------------------------------

Certificates and Declarations (Document Number)

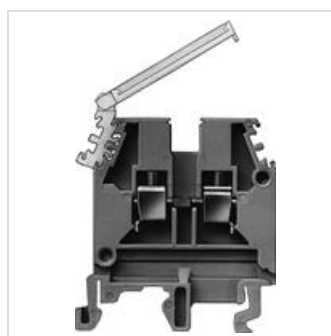
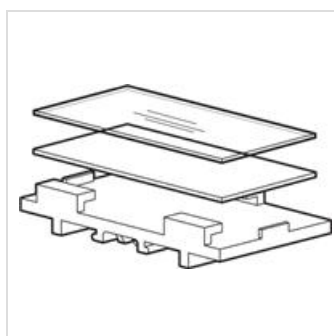
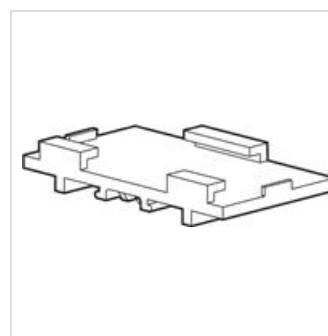
Declaration of Conformity - CE:	1SND225156C1000
RoHS Information:	1SND230010F0204

Classifications

ETIM 4:	EC002248 - Mounting for labelling material
ETIM 5:	EC002248 - Mounting for labelling material

Container Information

Package Level 1 Gross Weight:	0.405 kg
Package Level 1 EAN:	3472591169140
Package Level 2 Units:	600 piece
Package Level 3 Units:	9000 piece
Package Level 1 Units:	50 piece



Below is a list of articles with direct links to our shop Electric Automation Network where you can see:

- Quote per purchase volume in real time.
- Online documentation and datasheets of all products.
- Estimated delivery time enquiry in real time.
- Logistics systems for the shipment of materials almost anywhere in the world.
- Purchasing management, order record and tracking of shipments.

To access the product, [click on the green button.](#)

Product	Code	Reference	Product link
PEBP Terminal Block Markers	1SNA116914R0000	PEBP	Buy on EAN