



**Automatización Eléctrica**  
Especialistas en Automatización

At the end of this document you will find links to products related to this catalog. You can go directly to our shop by clicking [HERE](#)

## General Information

Extended Product Type:	D1.5/20-1x20JR4
Product ID:	1SNA116056R1700
EAN:	3472591160567
Catalog Description:	D1.5/20-1x20JR4 Specific Terminal Blocks

## Categories

Products » Low Voltage Products and Systems » Connection Devices » Terminal Blocks » Solution Series

## Ordering

Minimum Order Quantity:	50 piece
Customs Tariff Number:	85369010

## Dimensions

Product Net Height:	35 mm
Product Net Depth:	41 mm
Product Net Width:	12.7 mm

## Technical

Mounting on DIN Rail:	G32 (32 x 15 mm Mounting Rail) acc. to IEC 60715 TH35-7.5 (35 x 7.5 mm Mounting Rail) acc. to IEC 60715 TH35-15 (35 x 15 mm Mounting Rail) acc. to IEC 60715
-----------------------	--------------------------------------------------------------------------------------------------------------------------------------------------------------------

## Certificates and Declarations (Document Number)

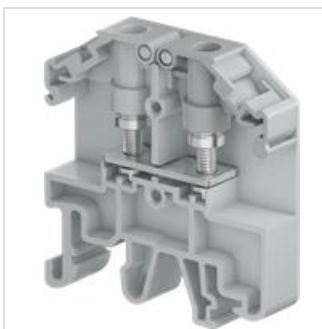
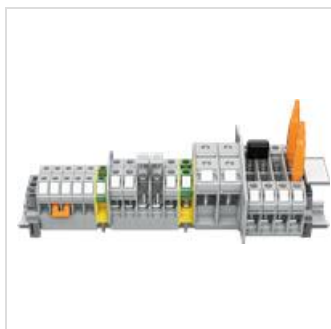
Declaration of Conformity - CE:	1SND225168C1000
EAC Certificate:	1SND161009A1100

## Classifications

Object Classification Code:	X
-----------------------------	---

## Container Information

Package Level 1 Width:	82 mm
Package Level 1 Length:	265 mm
Package Level 1 Height:	65 mm
Package Level 1 EAN:	3472591160567
Package Level 2 Units:	500 piece
Package Level 3 Units:	24000 piece
Product Packing Type:	Box
Package Level 1 Units:	50 piece



Below is a list of articles with direct links to our shop Electric Automation Network where you can see:

- Quote per purchase volume in real time.
- Online documentation and datasheets of all products.
- Estimated delivery time enquiry in real time.
- Logistics systems for the shipment of materials almost anywhere in the world.
- Purchasing management, order record and tracking of shipments.

To access the product, [click on the green button.](#)

Product	Code	Reference	Product link
D1.5/20-1x20JR4 Specific Terminal Blocks	1SNA116056R1700	D 1.5/20.1 X 20J	<a href="#">Buy on EAN</a>