



Automatización Eléctrica
Especialistas en Automatización

At the end of this document you will find links to products related to this catalog. You can go directly to our shop by clicking [HERE](#)

General Information

Extended Product Type:	PEB
Product ID:	1SNA113077R1100
EAN:	3472591130775
Catalog Description:	PEB Terminal Block Markers Grey

Categories

Products » Low Voltage Products and Systems » Connection Devices » Markers and Marking Systems » Terminal Block Markers

Ordering

Minimum Order Quantity:	50 piece
Customs Tariff Number:	85389099
Color:	Grey

Dimensions

Product Net Height:	18 mm
Product Net Length:	35.5 mm
Product Net Weight:	1.7 g
Product Net Width:	35.5 mm

Technical

Insulation Material:	Polyamide (PEB) (I) PVC (EPR1)
----------------------	--------------------------------

Technical UL/CSA

Flammability According to UL94:	V0
---------------------------------	----

Environmental

RoHS Status:	Following EU Directive 2011/65/EC
--------------	-----------------------------------

Certificates and Declarations (Document Number)

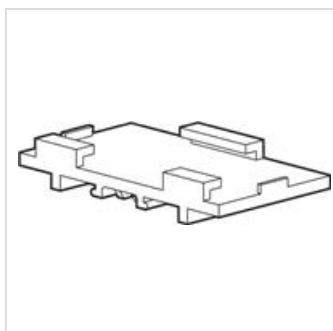
Declaration of Conformity - CE:	1SND225156C1000
RoHS Information:	1SND230010F0204

Classifications

ETIM 4:	EC000761 - Labelling for terminal block
ETIM 5:	EC000761 - Labelling for terminal block

Container Information

Package Level 1 Width:	155 mm
Package Level 1 Length:	200 mm
Package Level 1 Height:	5 mm
Package Level 1 Gross Weight:	0.085 kg
Package Level 1 EAN:	3472591130775
Package Level 2 Units:	1000 piece
Package Level 2 Width:	175 mm
Package Level 2 Length:	227 mm
Package Level 2 Height:	260 mm
Product Packing Type:	Bag
Package Level 1 Units:	50 piece



Below is a list of articles with direct links to our shop Electric Automation Network where you can see:

- Quote per purchase volume in real time.
- Online documentation and datasheets of all products.
- Estimated delivery time enquiry in real time.
- Logistics systems for the shipment of materials almost anywhere in the world.
- Purchasing management, order record and tracking of shipments.

To access the product, [click on the green button.](#)

Product	Code	Reference	Product link
PEB Terminal Block Markers Grey	1SNA113077R1100	PEB	Buy on EAN