



Proximity switch, inductive, 1 N/C, Sn=5mm, 2L, 20-250VAC, M18, metal, line 2m



Powering Business Worldwide™

Part no. **E57RBL18A2**
 Article no. **136078**
 Catalog No. **E57RBL18A2**

Delivery programme

Basic function			Inductive Sensors
Product range			E57 Premium+ Series
Connection			2-wire
Design (outer dimensions)		mm	M18 x 1
Rated operational voltage	U_e		20 - 250 V AC
Rated switching distance	S_n	mm	5
Type of mounting			Flush
For connection of:			2 m connection cable
Contacts			
N/C = Normally closed			1 NC
Material			Stainless steel
Degree of Protection			IP67

Technical data

General

Standards			IEC/EN 60947-5-2
Ambient temperature			-25 - +70
Mechanical shock resistance		g	30 Shock duration 11 ms
Degree of Protection			IP67

Characteristics

Rated switching distance			
Rated switching distance	S_n	mm	5
Repetition accuracy of S_n		%	3
Temperature drift of S_n		%	10
Switching hysteresis of S_n		%	15
Rated operational voltage	U_e		20 - 250 V AC
Operating current in the switched state at 24 V DC	I_b	mA	10
Maximum load current	I_e	mA	< 500 (25 °C) / 250 (70 °C)
Voltage drop at I_e	U_d	V	2.5
Switching Frequency		Hz	20
Min. load current	I_e	mA	1
Residual current through the load in the blocked state at 230 V AC and 24 V DC	I_r	mA	0.1
Switching state display		LED	Red
Connection			2-wire
Contacts			
N/C = Normally closed			1 NC
Style			
Design (outer dimensions)		mm	M18 x 1
For connection of:			2 m connection cable
Material			Stainless steel

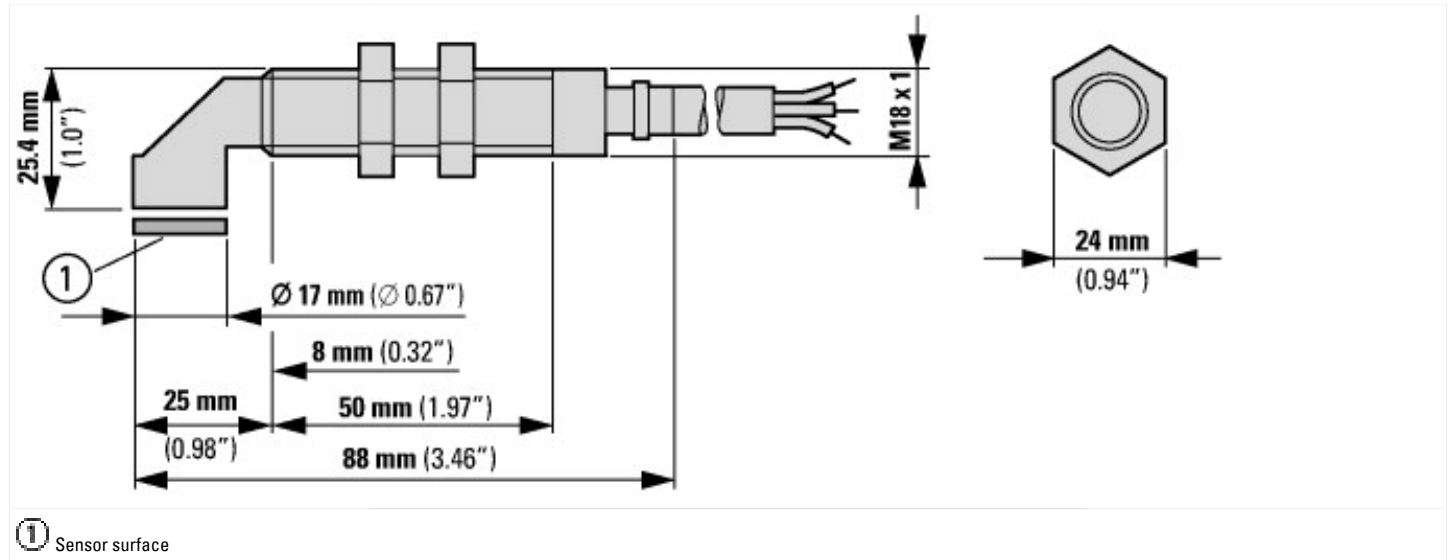
Design verification as per IEC/EN 61439

Technical data for design verification			
Operating ambient temperature min.		°C	-25
Operating ambient temperature max.		°C	70

Approvals

Product Standards		UL 508; IEC60947-5-2; CE marking
UL File No.		E166051
UL Category Control No.		NRKH, NRKH7
North America Certification		UL listed
Max. Voltage Rating		250 V AC
Degree of Protection		IEC: IP67, IP69K; UL/CSA Type: 4, 4x, 6, 6P, 12, 13

Dimensions



Additional product information (links)

IL05301003Z Premium Plus Series Inductive Sensors +Short, +Miniature

IL05301003Z Premium Plus Series Inductive Sensors +Short, +Miniature ftp://ftp.moeller.net/DOCUMENTATION/AWA_INSTRUCTIONS/IL05301003Z2013_02.pdf