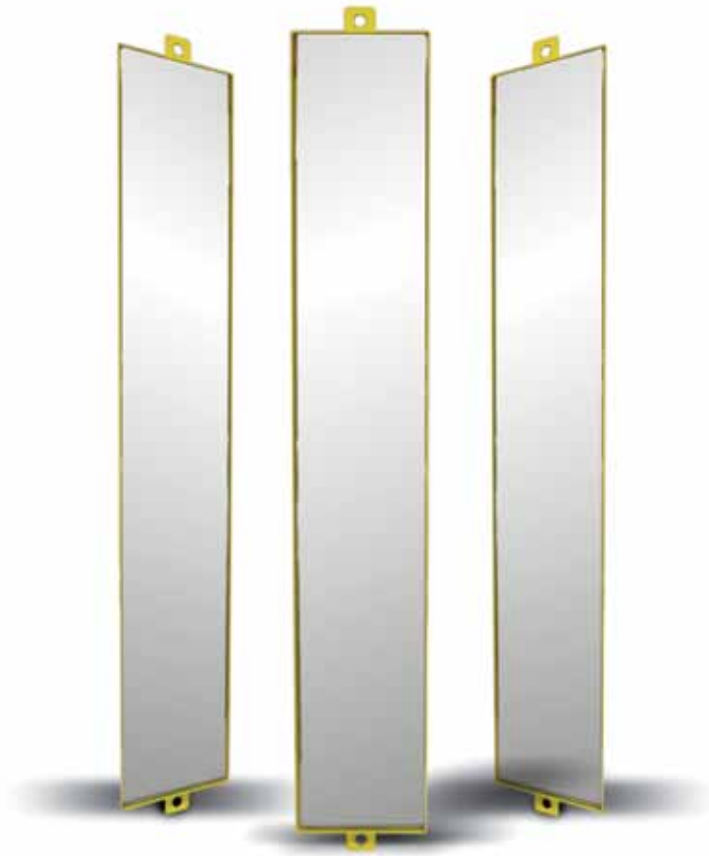




SG-DM SERIES

Accessory deviating mirrors of SG-DM series can be used with all DATALOGIC AUTOMATION SF2, SE, SG2, SG4, SG BODY safety light curtain series and with Sx-F/G-SG-ST safety photocell series. Available in different lengths starting from 150mm (single mirrors for mono and multibeam applications) and reaching 1900mm, making them ideal for classical perimeter protection. The SG-DM deviating mirrors can be mounted in a 'stand alone' configuration directly on the machine or inside SG-PS protective stand series. Mirror mounting can be performed through dedicated accessory mounting kits: ST-PS-DM for protective stands mounting and ST-DM for 'stand alone' mounting.



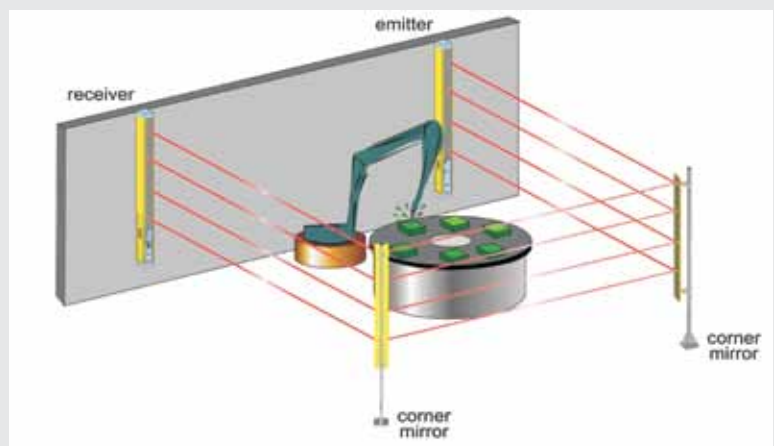
SAFETY

HIGHLIGHTS

- Suitable for all models SF2, SE, SG2, SG4, SG BODY safety light curtains series and Sx-F/G-SG-ST safety photocells series
- Suitable for stand alone mounting on the machines or inside protective stands SG-PS series
- Sturdy aluminum profile
- 80mm width

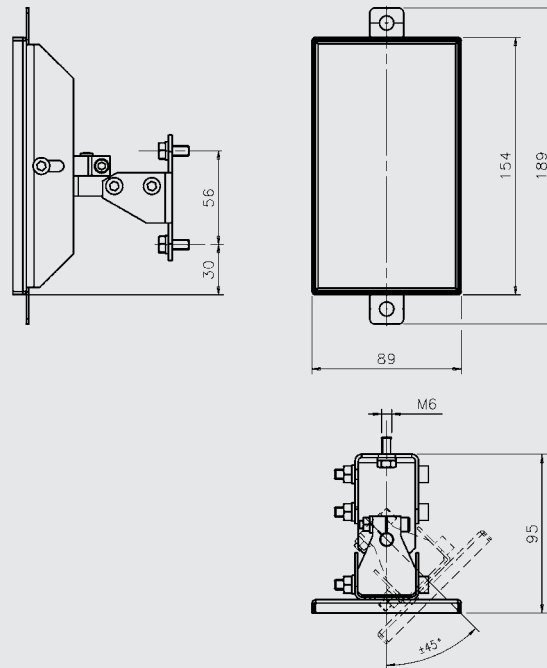
APPLICATIONS

Thanks to its extremely easy mounting, the SG-DM deviating mirrors are particularly suitable for all the applications that require the protection of more than one side of a machine.

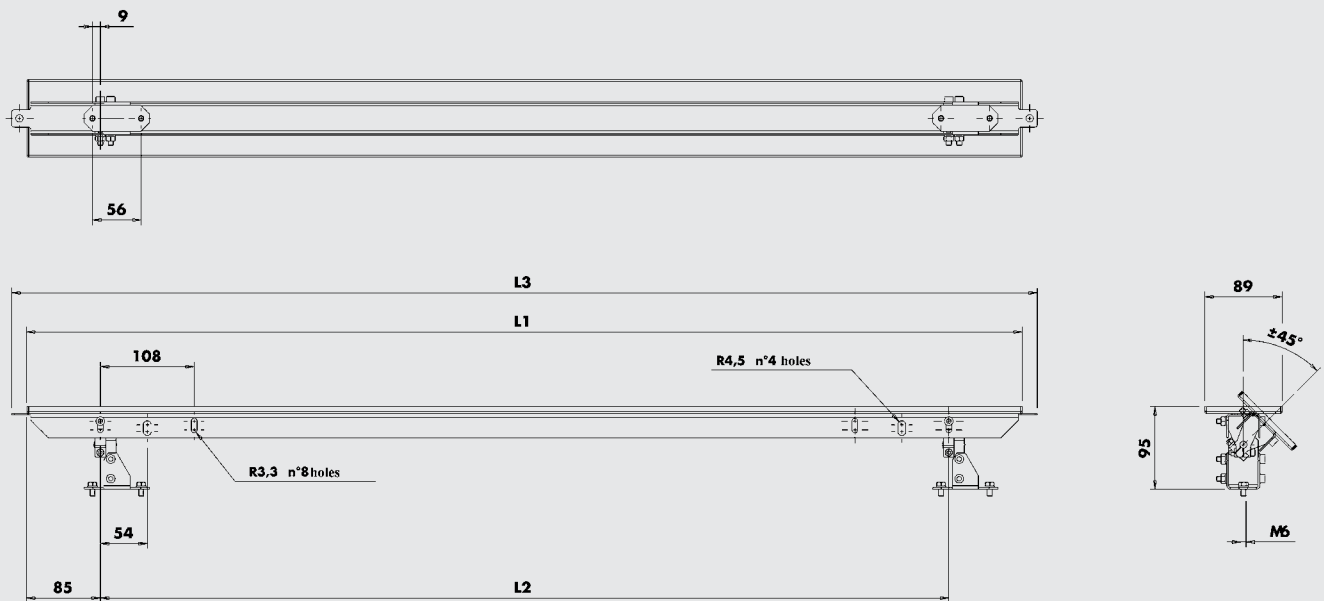


DIMENSIONS

Overall dimensions of 150 model



Overall dimensions of models from 600 to 1900



MODEL	L1 [mm]	L2 (mm)	L3 (mm)
SG-DM 600	545	376	580
SG-DM 900	845	676	880
SG-DM 1200	1145	976	1180
SG-DM 1650	1595	1426	1630
SG-DM 1900	1845	1676	1880

Note: the SG-DM couplet with the Protective Stand overall dimensions are available in the dedicated user manual.

MIRRORS – SAFETY LIGHT CURTAINS CORRESPONDANCE TABLE

MIRROR MODELS	CORRESPONDING SAFETY LIGHT CURTAINS MODELS
SG-DM 600	SEX-XX-015
SG-DM 600	SEX-XX-030
SG-DM 600	SGX-XX-015
SG-DM 600	SGX-XX-030
SG-DM 600	SGX-XX-015
SG-DM 600	SGX-XX-030
SG-DM 600	SGX-XX-045
SG-DM 600	SGX-XX-045
SG-DM 600	SGX-XX-045
SG-DM 900	SGX-XX-060
SG-DM 900	SGX-XX-060
SG-DM 900	SGX-XX-060
SG-DM 900	SGX-XX-075
SG-DM 900	SGX-XX-075
SG-DM 900	SGX-XX-075
2X SG-DM 150 / SG-DM 900	SEX-X2-050
2X SG-DM 150 / SG-DM 900	SG2-S2-050
2X SG-DM 150 / SG-DM 900	SG4-S2-050
2X SG-DM 150 / SG-DM 900	SG2-B2-050
2X SG-DM 150 / SG-DM 900	SG4-B2-050
2X SG-DM 150 / SG-DM 900	SG4-BLR2-050
2X SG-DM 150 / SG-DM 900	SG4-BSR2-050
SG-DM 900	SG4-40-060
SG-DM 1200	SEX-XX-090
SG-DM 1200	SGX-XX-090
SG-DM 1200	SGX-XX-090
SG-DM 1200	SEX-XX-105
SG-DM 1200	SGX-XX-105
SG-DM 1200	SGX-XX-105
3X SG-DM 150 / SG-DM 1200	SEX-X3-080
3X SG-DM 150 / SG-DM 1200	SG2-S3-080
3X SG-DM 150 / SG-DM 1200	SG4-S3-080
3X SG-DM 150 / SG-DM 1200	SG2-B3-080
3X SG-DM 150 / SG-DM 1200	SG4-B3-080
3X SG-DM 150 / SG-DM 1200	SG4-BLR3-080
3X SG-DM 150 / SG-DM 1200	SG4-BSR3-080
4X SG-DM 150 / SG-DM 1200	SEX-X4-090
4X SG-DM 150 / SG-DM 1200	SG2-S4-090
4X SG-DM 150 / SG-DM 1200	SG4-S4-090
4X SG-DM 150 / SG-DM 1200	SG2-B4-090
4X SG-DM 150 / SG-DM 1200	SG4-B4-090
4X SG-DM 150 / SG-DM 1200	SG4-BLR4-090
4X SG-DM 150 / SG-DM 1200	SG4-BSR4-090
SG-DM 1200	SG4-40-090
SG-DM 1650	SGX-XX-120
SG-DM 1650	SGX-XX-120
SG-DM 1650	SGX-XX-120
SG-DM 1650	SGX-XX-135
SG-DM 1650	SGX-XX-135
SG-DM 1650	SGX-XX-135
SG-DM 1650	SGX-XX-150
SG-DM 1650	SGX-XX-150
SG-DM 1650	SGX-XX-150
4X SG-DM 150 / SG-DM 1650	SEX-X4-120
4X SG-DM 150 / SG-DM 1650	SG2-S4-120
4X SG-DM 150 / SG-DM 1650	SG4-S4-120
4X SG-DM 150 / SG-DM 1650	SG2-B4-120
4X SG-DM 150 / SG-DM 1650	SG4-B4-120
4X SG-DM 150 / SG-DM 1200	SG4-BLR4-120
4X SG-DM 150 / SG-DM 1200	SG4-BSR4-120
SG-DM 1650	SG4-40-120
SG-DM 1900	SEX-XX-165
SG-DM 1900	SGX-XX-165
SG-DM 1900	SGX-XX-165
SG-DM 1900	SGX-XX-180
SG-DM 1900	SGX-XX-180

MODEL SELECTION AND ORDER INFORMATION

MODEL	FUNCTION	ORDER N°
SG-DM 150	DEVIATING MIRRORS H=150mm	95ASE1670
SG-DM 600	DEVIATING MIRRORS H=600mm	95ASE1680
SG-DM 900	DEVIATING MIRRORS H=900mm	95ASE1690
SG-DM 1200	DEVIATING MIRRORS H=1200mm	95ASE1700
SG-DM 1650	DEVIATING MIRRORS H=1650mm	95ASE1710
SG-DM 1900	DEVIATING MIRRORS H=1900mm	95ASE1720

ACCESSORY SELECTION AND ORDER INFORMATION

MODEL	DESCRIPTION	ORDER N°
ST-DM*	"STAND ALONE" MIRRORS MOUNTING KIT	95ASE1940

* Fixing bracket are not included in the package but must be ordered, if required, as accessory