

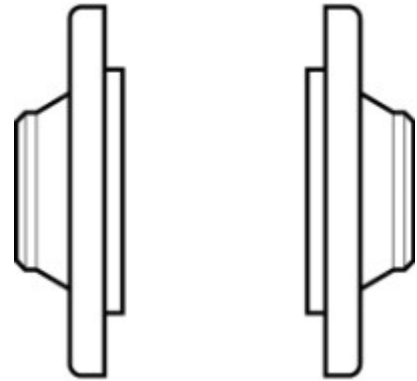


Electric Automation
Automation specialists

Reference: 027N3065

Type Code Flange set , Weight 6.65 Kg , Conn. size 2 1/2 in , Conn. size 65 mm , Conn. std. DIN 2526

Buy it at Electric Automation Network



Each Code No. includes two flanges. Order flange gaskets separately (40 Pcs):
Version 9A: flange gaskets, ID 57 x OD 107 x 2 mm (ID 2.244 x OD 4.212 x 0.079 in.) Code No. 016D0071. Version 9B: flange gaskets, ID 76 x OD 127 x 2 mm (ID 2.992 x OD 5 x 0.079 in.) Code No. 016D0072. Version 9C: flange gaskets, ID 89 x OD 142 x 2 mm (ID 3.504 x OD 5.590 x 0.079 in.) Code No. 016D0073. Version 9D: flange gaskets, ID 108 x OD 162 x 2 mm (ID 4.252 x OD 6.378 x 0.079 in.) Code No. 016D0074.

Type Code	Flange set
Weight	6.65 Kg
Conn. size	2 1/2 in
Conn. size	65 mm
Conn. std.	DIN 2526
Conn. type	Butt weld
EAN no.	5702422021155
Flange design	Sealing recess
Flange shape	Round

Flange vers.	9.0 B
Material spec.	STEEL
Parts incl.	2 flanges
Used for	EVSI 65
Used for	WVS 65
Used for	WVTS 65