



Automatización Eléctrica

Especialistas en Automatización

At the end of this document you will find links to products related to this catalog. You can go directly to our shop by clicking HERE. [HERE](#)

Smart Dupline® Glass temperature display Types SHG503xSLT, SHG060xSLT

CARLO GAVAZZI



- Programmable glass touch switch
- It can control one temperature function managing 3 setpoints with the slider and on/off functions
- Integrated temperature sensor, range -9° to 50°C
- White and black glass
- Backlight ON when the hand approaches the glass
- Programmable buzzer when a key is pressed
- Shows current room temperature and a secondary temperature

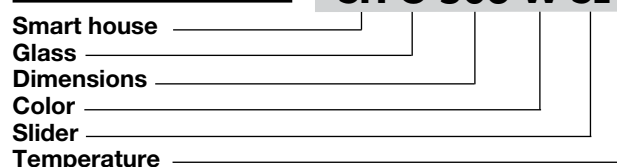
Product Description

Capacitive glass switch with display and slider to control one temperature function. The LEDs indicate which setpoint is selected among the three available ones. The selected setpoint is changed by means of the slider. The push buttons can be freely programmed to change setpoints or as on/off of home automation function. The display shows the room temperature and it is possi-

ble to see also a secondary temperature to be selected among the available ones. When a hand approaches the glass, the back light is switched on. The glass switch is part of the smart-house concept for building automation applications. It is fully programmable via the SH tool.

Ordering Key

SH G 503 W SL T



Type Selection

Description	Module item
White glass switch for 503 box	SHG503WSLT
Black glass switch for 503 box	SHG503BSLT
White glass switch for Ø60 box	SHG060WSLT
Black glass switch for Ø60 box	SHG060BSLT

Output Specifications

Touch glass	4 LEDs Display (the room temperature or the setpoint)
-------------	---

Supply Specifications

Power supply	Overvoltage cat. II (IEC 60664-1, par. 4.3.3.2) 15 to 24 VDC ± 20%
Consumption	42 mA, 1 W

Input Specifications

Touch glass	4 touch buttons 1 slider
Temperature	-9° to +50°C (15.8° to 122°F)
Sensor	-9° to -0°C (15.8° to 32°F), 2°C (3.6°F)
Accuracy	0° to +50°C (32° to 122°F), 0.5°C (0.9°F)

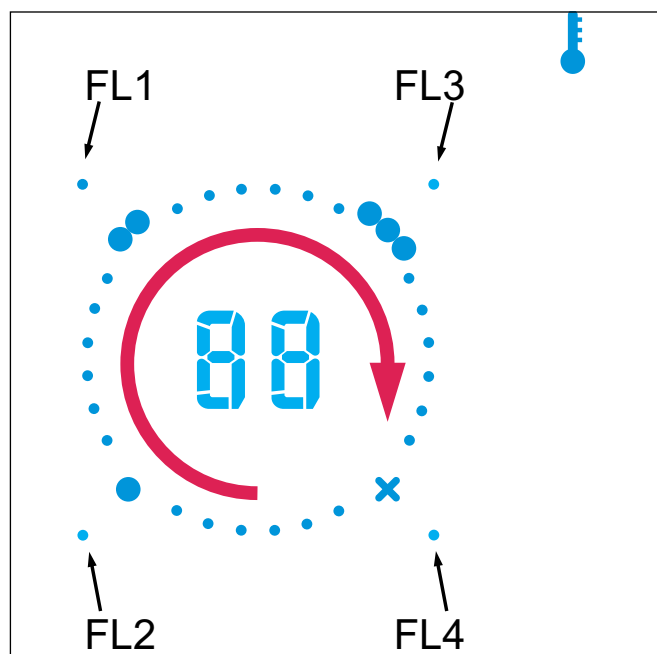
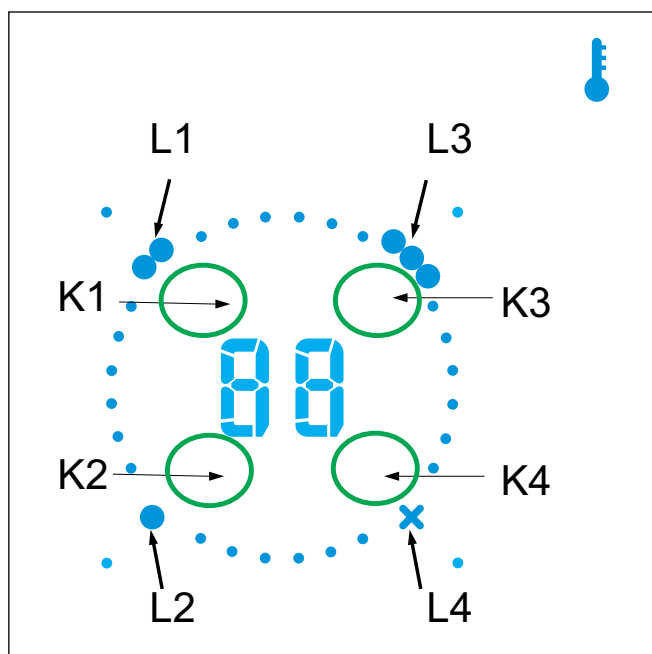
Dupline® Output Specifications

Voltage	8.2 V
Maximum Dupline® voltage	10 V
Minimum Dupline® voltage	5.5 V
Maximum Dupline® current	2 mA

General Specifications

Address assignment	Automatic: the controller recognises the module through the SIN (Specific Identification Number) that is fitted in the SH tool	Weight (packing included) SHG503 SHG060	230g 180g
Environment Degree of protection Pollution degree Operating temperature Storage temperature Humidity (non-condensing)	IP 20 3 (IEC 60664) -10° to +50°C (-14° to 122°F) -20° to +70°C (-4° to 158°F) 20 to 90% RH	Approvals	cULus, according to UL60950 UL notes: Max room temperature: 40°C
Connection Screwless detachable D+ D- V+ V-	0.2 to 1.5 mm ² Signal GND + 24 VDC GND	CE Marking	Yes
Housing Dimensions of back SHG503 SHG060 Dimensions of back + front SHG503 SHG060 Back part material Glass	120 x 80 x 27.9 mm 80 x 80 x 27.9 mm 120 x 80 x 36.8 mm 80 x 80 x 36.8 mm ABS Black (SHGxxxBSLT) White (SHGxxxWSLT)	EMC Immunity - Electrostatic discharge - Radiated radiofrequency - Burst immunity - Surge - Conducted radio frequency - Power frequency magnetic fields - Voltage dips, variations, interruptions Emission - Conducted and radiated emissions - Conducted emissions - Radiated emissions	EN 61000-6-2 EN 61000-4-2 EN 61000-4-3 EN 61000-4-4 EN 61000-4-5 EN 61000-4-6 EN 61000-4-8 EN 61000-4-11 EN 61000-6-3 CISPR 22 (EN55022), cl. B CISPR 16-2-1 (EN55016-2-1) CISPR 16-2-3 (EN55016-2-3)

Keys and LEDs



Mode of Operation

The glass switch is fully programmable by means of the software SH tool and can be used to control one temperature function.

The sensitive area for the slider is the one indicated by the red arrow.

The sensitive area for the 4 push buttons is the one indicated by the circles K1, K2, K3, K4. A pressure of one second is needed to the glass switch to recognise the condition "push button pressed".

Each push button can be programmed in temperature mode or as a standard push

button.

The temperature range for the display is from -9 to 50°C ($\pm 1^\circ\text{C}$) or from 15°F to 99°F. The engineering unit is set using the SH software tool.

Temperature mode

By means of the capacitive touch buttons K1, K2, K3, K4 the user can select the wanted temperature level, change the selected setpoint with the slider or switch the temperature control off.

The display shows the room temperature, or the external

temperature or the regulating setpoint if the corresponding touch button is pressed.

Standard push button

A push button can also be programmed as a standard push button. In this case it can be used in all the on/off functions a part from the rollerblind functions.

When the hand approaches the glass, the back light is lit if programmed.

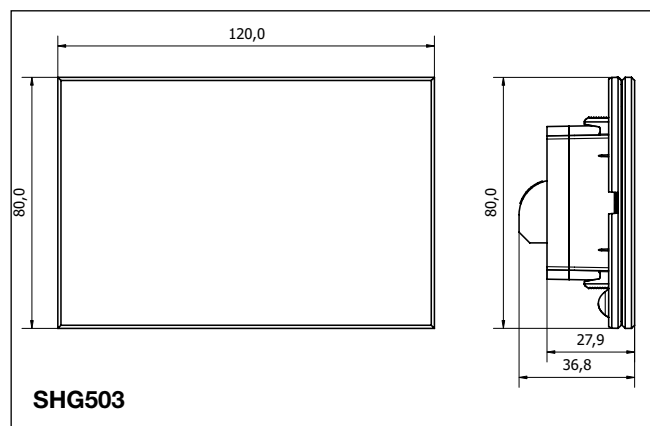
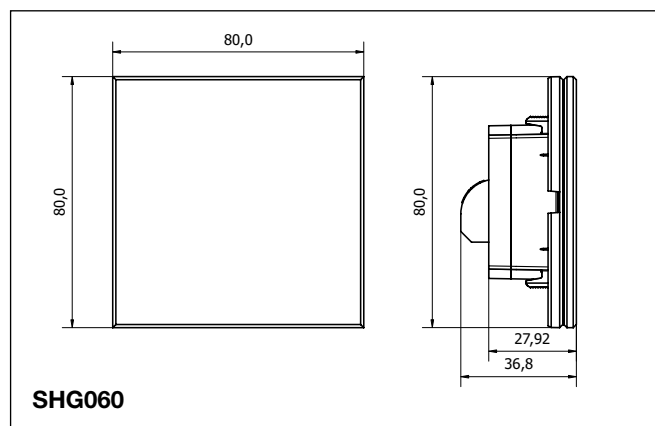
The buzzer can be enabled by means of the SH tool to give feedback on the pressure.

The four feedback LEDs' (FL1, FL2, FL3, FL4) can be freely programmed as feedback for any home automation function.

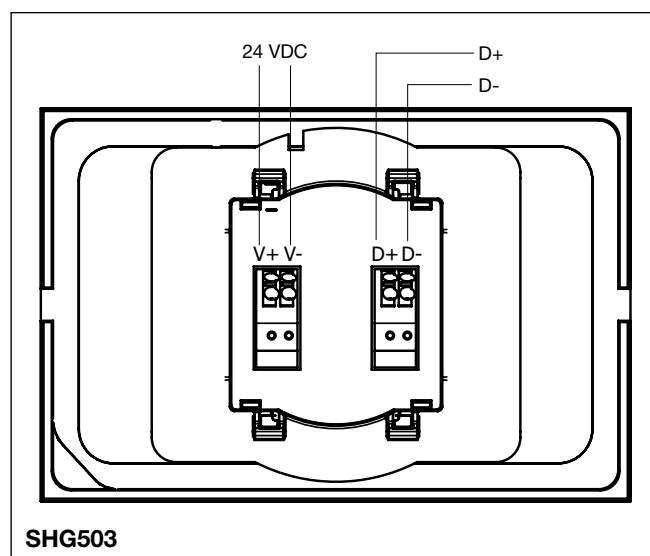
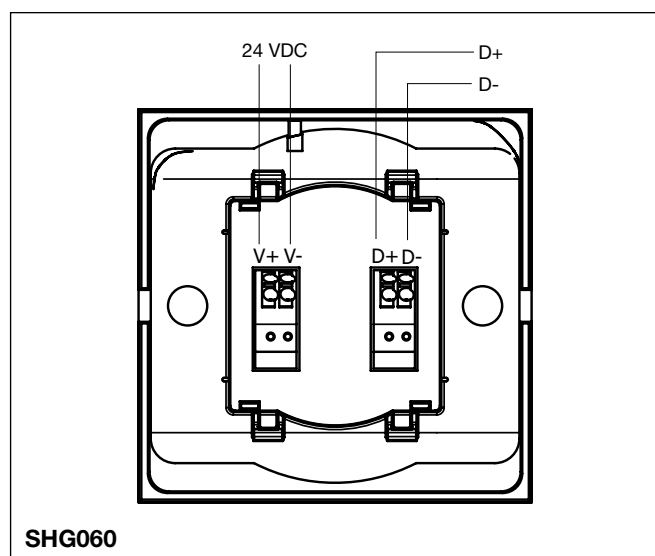
LED programming

The four LEDs' L1, L2, L3, L4 are managed by the system to indicate which setpoint is selected: Lx is ON when the associated setpoint is selected; Lx blinks at 1Hz when the display is showing the corresponding setpoint mode.

Dimensions (mm)



Wiring Diagram





Below is a list of articles with direct links to our shop Electric Automation Network where you can see:

- Quote per purchase volume in real time.
- Online documentation and datasheets of all products.
- Estimated delivery time enquiry in real time.
- Logistics systems for the shipment of materials almost anywhere in the world.
- Purchasing management, order record and tracking of shipments.

To access the product, [click on the green button.](#)

Product	Code	Reference	Product link
Selected parameters TYPE MasterGlass HOUSING Wall mounting, box 503 POWER SUPPLY 24VDC Others TYPE Temperature display HOUSING Wall mounting, box 503 POWER SUPPLY 15-24 VDC MAIN CHARACTERISTICS Temperature sensor 10 °C to 35 °C	SHG503WSLT		Buy on EAN