

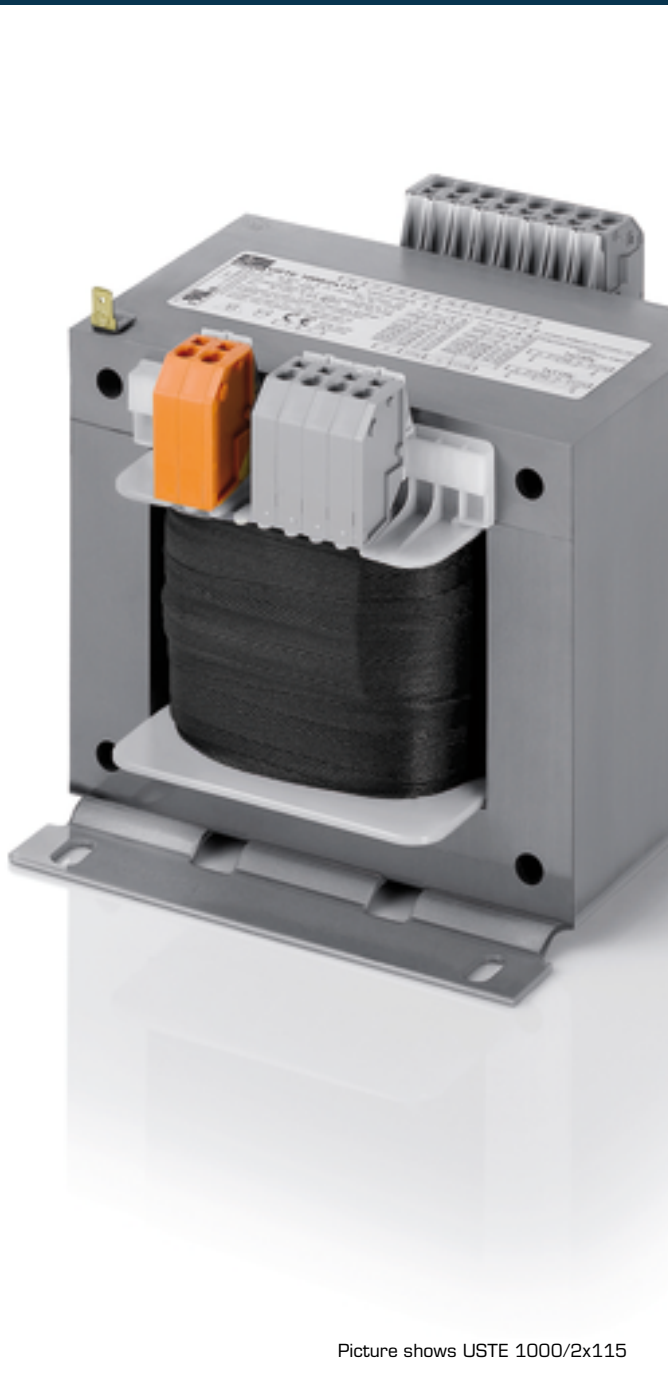


**Automatización Eléctrica**

Especialistas en Automatización

At the end of this document you will find links to products related to this catalog. You can go directly to our shop by clicking [HERE](#). [HERE](#)

# Control- and safety isolating transformer USTE 400/2x12



Picture shows USTE 1000/2x115

## Advantages

Universal input voltages 208 to 600 Vac

Very good switch-on behaviour thanks to reduced starting currents

High performance for the volume thanks to compact design

Very good corrosion protection and low noise thanks to BLOCKIMPEX vacuum impregnation

Quick to cable up thanks to the use of spring-clamp terminals

Contact protected screw connection terminals complying with UVV BGV A3

Simple mounting thanks to robust metal footplate with oval slots

Up to 250 VA with combination footplate for bolted and rail mounting

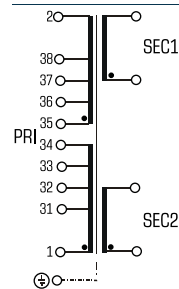
## Applications

As a control transformer for the electrical isolation of the input and output sides. The construction of the transformer to supply control systems according to VDE 0113 is designed.

As an isolating transformer for the safe electrical isolation of the input and output sides. The transformer may be used to set up protective separation as a protective measure in accordance with VDE 0100.

As a safety isolating transformer for the safe electrical isolation of the input and output sides. The transformer is suitable for creating SELV and PELV circuits because of the limit on the output voltage.

## Sample application



## Standards



Control transformer

to: VDE 0570 Teil 2-2, DIN EN 61558-2-2, EN 61558-2-2, IEC 61558-2-2,  
UL 5085-1/-2, CSA 22.2 No.66

Safety isolating transformer

to: VDE 0570 Part 2-6, DIN EN 61558-2-6, EN 61558-2-6, IEC 61558-2-6,  
UL 5085-1/-2, CSA 22.2 No.66

## Approvals

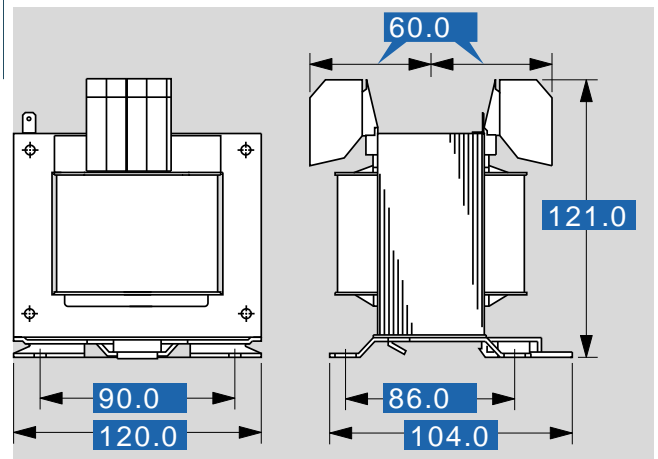


# Control- and safety isolating transformer

## USTE 400/2x12

Type		USTE 400/2x12
<b>Electrical data</b>	Input	208 Vac/230 Vac/380 Vac 400 Vac/415 Vac/440 Vac 460 Vac/480 Vac/500 Vac 525 Vac/550 Vac/575 Vac 600 Vac
	Rated input voltage	
	Rated frequency	50 - 60 Hz
	Output	
	Rated output voltage	2 x 12 Vac
	Rated power VDE (DB cos phi=1)	400 VA
	Rated power VDE (KB cos phi=0.5)	1440 VA
	No-load voltage (app. x factor)	1.05
	Efficiency	92 %
	Standards	
Classification	Control- and safety isolating transformer	
Approvals		
Approvals	cURus	
Environment		
Ambient temperature max.	40 °C	
Type of cooling	self-cooling	
Safety and protection		
Type	Open type	
Class of Insulation System	VDE=B, UL=class 130	
Protection index	IP 00	
Safety class (prepared)	I	
Short circuit strength	non-short-circuit proof	
PRI Fusing recommendation by circuit breaker with tripping characteristic type 20 x I <sub>rated</sub> related to set)		
Setting range 208 - 230 Vac	1.60 - 2.50 A	
Setting value 208 - 230 Vac	2.10 A	
Setting range 380 - 415 Vac	1.00 - 1.60 A	
Setting value 380 - 415 Vac	1.10 A	
Setting range 440 +20 Vac	1.00 - 1.60 A	
Setting value 440 +20 Vac	1.00 A	
Setting range 500 -20/+25 Vac	0.63 - 1.00 A	
Setting value 500 -20/+25 Vac	0.90 A	
Setting range 575 ±25 Vac	0.63 - 1.00 A	
Setting value 575 ±25 Vac	0.81 A	
Order numbers		
Order Number	USTE 400/2x12	

Type		USTE 400/2x12
<b>Mechanical data</b>	Terminal and mounting	
	Fixing method	Base plate
	Fixing screws	M5
	Terminals	Spring terminals, PE 6.3 x 0.8
	Measures and weights	
	Weight	5.30 kg



Subjects to change.

Below is a list of articles with direct links to our shop Electric Automation Network where you can see:

- Quote per purchase volume in real time.
- Online documentation and datasheets of all products.
- Estimated delivery time enquiry in real time.
- Logistics systems for the shipment of materials almost anywhere in the world.
- Purchasing management, order record and tracking of shipments.

To access the product, [click on the green button](#).

<b>Product</b>	<b>Code</b>	<b>Reference</b>	<b>Product link</b>
Universal control- and safety isolating- resp. isolating transformer Spring clamp terminals, dual dual purpose foot plate, PRI universal, SEC 63 - 2500 VA, 2 x 12 or 2 x 115 Vac	USTE4002x12	USTE 400/2x12	<a href="#">Buy on EAN</a>