



Automatización Eléctrica

Especialistas en Automatización

At the end of this document you will find links to products related to this catalog. You can go directly to our shop by clicking [HERE](#). [HERE](#)

Isolating transformer TT3 30-4-4



Picture shows TT3 10-4-4

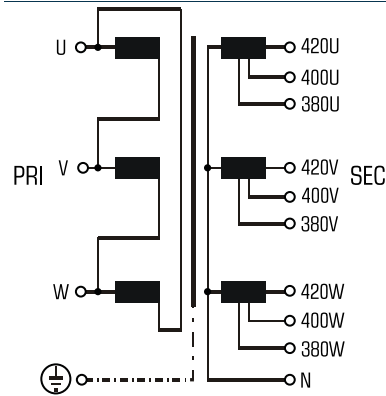
Advantages

- Safe galvanic isolation
- Patented assembly technology to lower heat losses
- Very good corrosion protection and low noise thanks to BLOCKIMPEX vacuum impregnation
- Secondary side $\pm 5\%$ tapplings for voltage adjustment
- Fixed, contact protected screw connection terminals complying with UVV BGV A3
- Multifunctional fixing rails with 12 oval slots
- Enlarged fixing rail for easy installation from above
- Integrated crane eyes

Applications

Isolating transformer for the safe electrical isolation of the input and output sides. The transformer may be used to set up protective separation as a protective measure in accordance with VDE 0100.

Sample application



Standards



Isolating transformer
to: VDE 0570 Part2-4, DIN EN 61558-2-4, EN 61558-2-4, IEC 61558-2-4, UL 5085-1/-2, CSA 22.2 No.66

Approvals



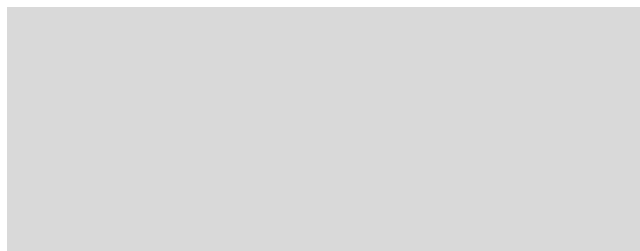
UL 1561, CSA 22,2 (E 327358)



Isolating transformer TT3 30-4-4

Type		TT3 30-4-4
Electrical data	Input	
	Rated input voltage	3 x 400 Vac
	Rated frequency	50 - 60 Hz
	Output	
	Rated output voltage	3 x 400 Vac
	Tappings Output (±)	±5 %
	Rated Power	30000 VA
	Rated current	3 x 45.7 Aac (3 x 380 Vac)
		3 x 43.3 Aac (3 x 400 Vac)
		3 x 41.3 Aac (3 x 420 Vac)
	Power loss	770.0 W
	Short circuit voltage	1.7 %
	Vector group	Dyn 5
	Efficiency	97.5 %
	Approvals	
	Approvals	cURus
	Environment	
	Ambient temperature max.	50 °C
	Safety and protection	
	Class of Insulation System	VDE=F, UL=class 155
Protection index	IP 00	
Safety class (prepared)	I	
Type	Open type	
Short circuit strength	non-short-circuit proof	
Order numbers		
Order Number	TT3 30-4-4	

Type		TT3 30-4-4
Mechanical data	Terminal and mounting	
	Fixing method	Fixing rail
	Fixing screws	M12
	Terminals	Screw-type terminal
Measures and weights		
Core type	3UI 240/170	
Weight	230.00 kg	





Automatización Eléctrica
Especialistas en Automatización

Below is a list of articles with direct links to our shop Electric Automation Network where you can see:

- Quote per purchase volume in real time.
- Online documentation and datasheets of all products.
- Estimated delivery time enquiry in real time.
- Logistics systems for the shipment of materials almost anywhere in the world.
- Purchasing management, order record and tracking of shipments.

To access the product, [click on the green button.](#)

Product	Code	Reference	Product link
Isolating transformer PRI 3 x 400 Vac, SEC 1000 - 30000 VA, 3 x 400 Vac	TT33044	TT3 30-4-4	Buy on EAN