



Automatización Eléctrica

Especialistas en Automatización

At the end of this document you will find links to products related to this catalog. You can go directly to our shop by clicking [HERE](#). [HERE](#)

Isolating transformer TT3 20-4-4



Picture shows TT3 10-4-4

Advantages

Safe galvanic isolation

Patented assembly technology to lower heat losses

Very good corrosion protection and low noise thanks to BLOCKIMPEX vacuum impregnation

Secondary side $\pm 5\%$ tapings for voltage adjustment

Fixed, contact protected screw connection terminals complying with UVV BGV A3

Multifunctional fixing rails with 12 oval slots

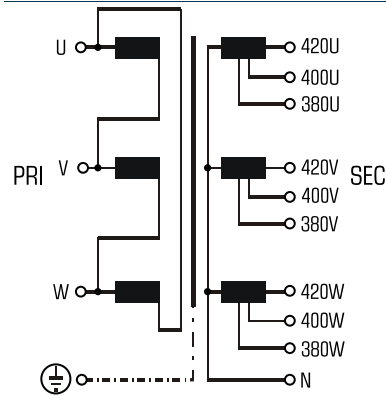
Enlarged fixing rail for easy installation from above

Integrated crane eyes

Applications

Isolating transformer for the safe electrical isolation of the input and output sides. The transformer may be used to set up protective separation as a protective measure in accordance with VDE 0100.

Sample application



Standards

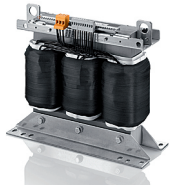


Isolating transformer
to: VDE 0570 Part2-4, DIN EN 61558-2-4, EN 61558-2-4, IEC 61558-2-4, UL 5085-1/-2, CSA 22.2 No.66

Approvals



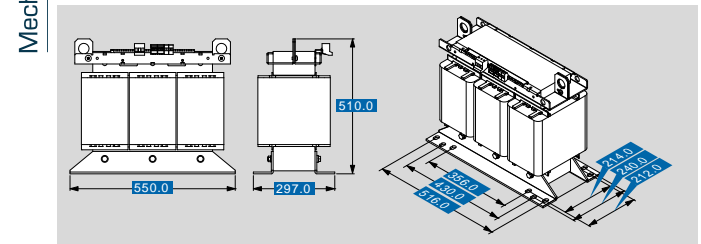
UL 1561, CSA 22,2 (E 327358)



Isolating transformer TT3 20-4-4

Type		TT3 20-4-4	
Electrical data	Input		
	Rated input voltage	3 x 400 Vac	
	Rated frequency	50 - 60 Hz	
	Output		
	Rated output voltage	3 x 400 Vac	
	Tappings Output (±)	±5 %	
	Rated Power	20000 VA	
	Rated current		3 x 30.4 Aac (3 x 380 Vac)
			3 x 28.9 Aac (3 x 400 Vac)
			3 x 27.5 Aac (3 x 420 Vac)
	Power loss	525.0 W	
	Short circuit voltage	1.5 %	
	Vector group	Dyn 5	
	Efficiency	97.5 %	
	Approvals		
Approvals	cURus		
Environment			
Ambient temperature max.	50 °C		
Safety and protection			
Class of Insulation System	VDE=F, UL=class 155		
Protection index	IP 00		
Safety class (prepared)	I		
Type	Open type		
Short circuit strength	non-short-circuit proof		
Order numbers			
Order Number	TT3 20-4-4		

Type		TT3 20-4-4
Terminal and mounting	Fixing method	Fixing rail
	Fixing screws	M12
Terminals	Terminals	Screw-type terminal
	Measures and weights	
Core type		3UI 240/140
Weight		180.00 kg



Subjects to change.



Automatización Eléctrica
Especialistas en Automatización

Below is a list of articles with direct links to our shop Electric Automation Network where you can see:

- Quote per purchase volume in real time.
- Online documentation and datasheets of all products.
- Estimated delivery time enquiry in real time.
- Logistics systems for the shipment of materials almost anywhere in the world.
- Purchasing management, order record and tracking of shipments.

To access the product, [click on the green button.](#)

Product	Code	Reference	Product link
Isolating transformer PRI 3 x 400 Vac, SEC 1000 - 30000 VA, 3 x 400 Vac	TT32044	TT3 20-4-4	Buy on EAN