



**Automatización Eléctrica**

Especialistas en Automatización

At the end of this document you will find links to products related to this catalog. You can go directly to our shop by clicking [HERE](#). [HERE](#)

# Isolating transformer TT3 16-4-4



Picture shows TT3 10-4-4

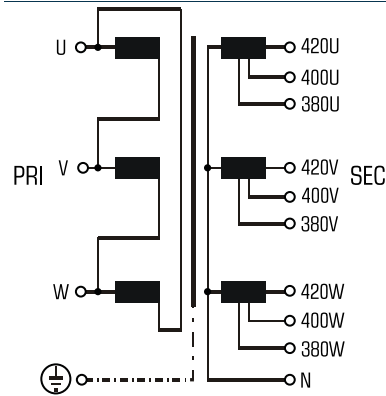
## Advantages

- Safe galvanic isolation
- Patented assembly technology to lower heat losses
- Very good corrosion protection and low noise thanks to BLOCKIMPEX vacuum impregnation
- Secondary side  $\pm 5\%$  tapplings for voltage adjustment
- Fixed, contact protected screw connection terminals complying with UVV BGV A3
- Multifunctional fixing rails with 12 oval slots
- Enlarged fixing rail for easy installation from above
- Integrated crane eyes

## Applications

Isolating transformer for the safe electrical isolation of the input and output sides. The transformer may be used to set up protective separation as a protective measure in accordance with VDE 0100.

## Sample application



## Standards

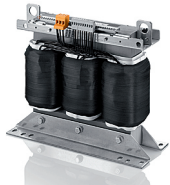


Isolating transformer  
to: VDE 0570 Part2-4, DIN EN 61558-2-4, EN 61558-2-4, IEC 61558-2-4, UL 5085-1/-2, CSA 22.2 No.66

## Approvals



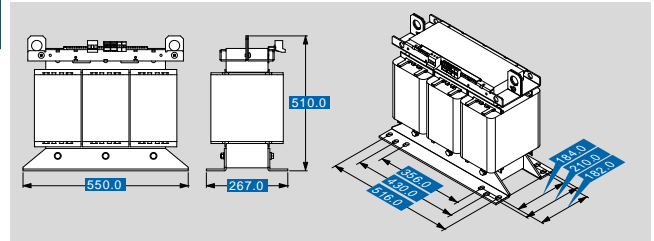
UL 1561, CSA 22,2 (E 327358)



# Isolating transformer TT3 16-4-4

Electrical data	
<b>Type</b> TT3 16-4-4	
<b>Input</b>	
Rated input voltage	3 x 400 Vac
Rated frequency	50 - 60 Hz
<b>Output</b>	
Rated output voltage	3 x 400 Vac
Tappings Output (±)	±5 %
Rated Power	16000 VA
Rated current	3 x 24.4 Aac (3 x 380 Vac)
	3 x 23.1 Aac (3 x 400 Vac)
	3 x 22 Aac (3 x 420 Vac)
Power loss	500.0 W
Short circuit voltage	1.5 %
Vector group	Dyn 5
Efficiency	97 %
<b>Approvals</b>	
Approvals	cURus
<b>Environment</b>	
Ambient temperature max.	50 °C
<b>Safety and protection</b>	
Class of Insulation System	VDE=F, UL=class 155
Protection index	IP 00
Safety class (prepared)	I
Type	Open type
Short circuit strength	non-short-circuit proof
<b>Order numbers</b>	
<b>Order Number</b>	<b>TT3 16-4-4</b>

Mechanical data	
<b>Type</b> TT3 16-4-4	
<b>Terminal and mounting</b>	
Fixing method	Fixing rail
Fixing screws	M12
Terminals	Screw-type terminal
<b>Measures and weights</b>	
Core type	3UI 240/110
Weight	150.00 kg



Subjects to change.



**Automatización Eléctrica**  
Especialistas en Automatización

Below is a list of articles with direct links to our shop Electric Automation Network where you can see:

- Quote per purchase volume in real time.
- Online documentation and datasheets of all products.
- Estimated delivery time enquiry in real time.
- Logistics systems for the shipment of materials almost anywhere in the world.
- Purchasing management, order record and tracking of shipments.

To access the product, [click on the green button](#).

Product	Code	Reference	Product link
Isolating transformer PRI 3 x 400 Vac, SEC 1000 - 30000 VA, 3 x 400 Vac	TT31644	TT3 16-4-4	<a href="#">Buy on EAN</a>