

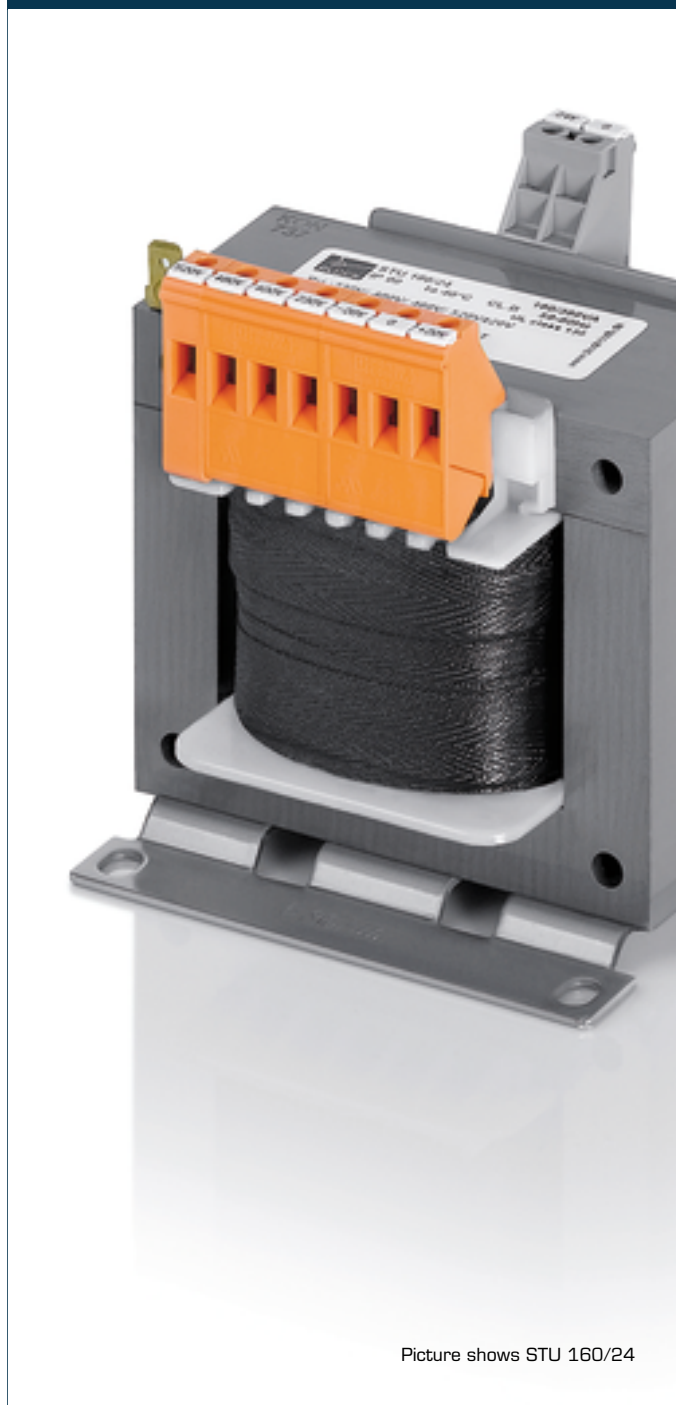


Automatización Eléctrica

Especialistas en Automatización

At the end of this document you will find links to products related to this catalog. You can go directly to our shop by clicking [HERE](#). [HERE](#)

Control- and safety isolating transformer STU 500/24



Picture shows STU 160/24

Advantages

Universal input voltages 210 to 540 Vac

Very good switch-on behaviour thanks to reduced starting currents

High performance for the volume thanks to compact design

Very good corrosion protection and low noise thanks to BLOCKIMPEX vacuum impregnation

Contact protected screw connection terminals complying with UVV BGV A3

Simple mounting thanks to robust metal footplate with oval slots

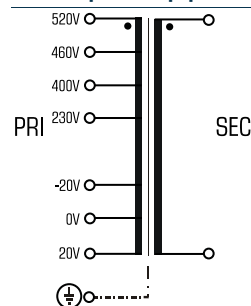
Applications

As a control transformer for the electrical isolation of the input and output sides. The construction of the transformer to supply control systems according to VDE 0113 is designed.

As an isolating transformer for the safe electrical isolation of the input and output sides. The transformer may be used to set up protective separation as a protective measure in accordance with VDE 0100.

As a safety isolating transformer for the safe electrical isolation of the input and output sides. The transformer is suitable for creating SELV and PELV circuits because of the limit on the output voltage.

Sample application



Standards



Control transformer

to: VDE 0570 Teil 2-2, DIN EN 61558-2-2, EN 61558-2-2, IEC 61558-2-2,
UL 5085-1/-2, CSA 22.2 No.66

Safety isolating transformer

to: VDE 0570 Part 2-6, DIN EN 61558-2-6, EN 61558-2-6, IEC 61558-2-6,
UL 5085-1/-2, CSA 22.2 No.66

Approvals



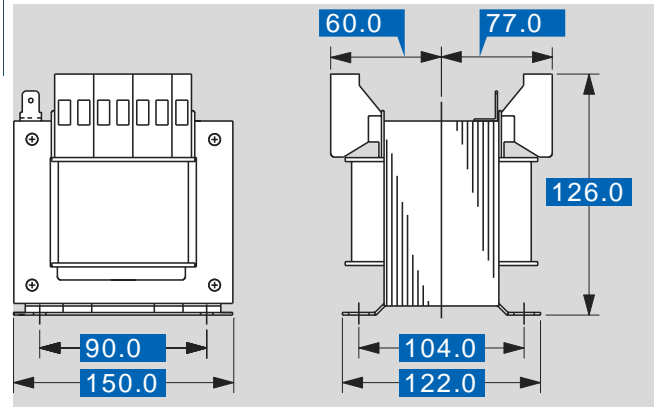
ENEC 10 (VDE), UL 5085-1/-2, CSA 22.2 No.66



Control- and safety isolating transformer STU 500/24

Type		STU 500/24
Electrical data	Input	
	Rated input voltage	210 Vac/230 Vac/250 Vac 380 Vac/400 Vac/420 Vac 440 Vac/460 Vac/480 Vac 500 Vac/520 Vac/540 Vac
	Rated frequency	50 - 60 Hz
	Output	
	Rated output voltage	24 Vac
	Rated power VDE (DB cos phi=1)	500 VA
	Rated power VDE (KB cos phi=0.5)	1370 VA
	No-load voltage (app. x factor)	1.05
	Efficiency	91 %
	Standards	
Classification	Control- and safety isolating transformer	
Approvals		
Approvals	cURus, ENEC 10 (VDE)	
Environment		
Ambient temperature max.	40 °C	
Type of cooling	self-cooling	
Safety and protection		
Type	Open type	
Class of Insulation System	VDE=B, UL=class 105	
Protection index	IP 00	
Safety class (prepared)	I	
Short circuit strength	non-short-circuit proof	
PRI Fusing recommendation by circuit breaker with tripping characteristic type 20 x I _{rated} related to set)		
Setting range 230 ±20 Vac	1.60 - 2.50 A	
Setting value 230 ±20 Vac	2.30 A	
Setting range 400 ±20 Vac	1.00 - 1.60 A	
Setting value 400 ±20 Vac	1.40 A	
Setting range 460 ±20 Vac	1.00 - 1.60 A	
Setting value 460 ±20 Vac	1.20 A	
Setting range 520 ±20 Vac	1.00 - 1.60 A	
Setting value 520 ±20 Vac	1.00 A	
Order numbers		
Order Number	STU 500/24	

Type		STU 500/24
Mechanical data	Terminal and mounting	
	Fixing method	Base plate
	Fixing screws	M5
Terminals	Screw-type terminals, PE 6.3 x 0.8	
Measures and weights		
Weight	7.00 kg	



Subjects to change.



Below is a list of articles with direct links to our shop Electric Automation Network where you can see:

- Quote per purchase volume in real time.
- Online documentation and datasheets of all products.
- Estimated delivery time enquiry in real time.
- Logistics systems for the shipment of materials almost anywhere in the world.
- Purchasing management, order record and tracking of shipments.

To access the product, [click on the green button.](#)

Product	Code	Reference	Product link
Universal control- and safety isolating- resp. isolating transformer PRI universal, SEC 63 - 2500 VA, 24 or 2 x 115 Vac	STU50024	STU 500/24	Buy on EAN