



**Automatización Eléctrica**

Especialistas en Automatización

At the end of this document you will find links to products related to this catalog. You can go directly to our shop by clicking [HERE](#). [HERE](#)

# Control- and safety isolating transformer STEU 320/24



Picture shows STEU 160/23

## Advantages

Dual input voltage 230 and 400 Vac
Very good switch-on behaviour thanks to reduced starting currents
High performance for the volume thanks to compact design
Primary side $\pm 15$ V tapings for voltage adjustment
Very good corrosion protection and low noise thanks to BLOCKIMPEX vacuum impregnation
Quick to cable up thanks to the use of spring-clamp terminals
Contact protected screw connection terminals complying with UVV BGV A3
Simple mounting thanks to robust metal footplate with oval slots
Up to 250 VA with combination footplate for bolted and rail mounting

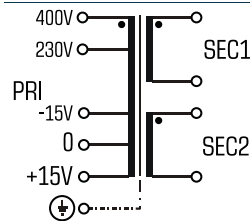
## Applications

As a control transformer for the electrical isolation of the input and output sides. The construction of the transformer to supply control systems according to VDE 0113 is designed.

As an isolating transformer for the safe electrical isolation of the input and output sides. The transformer may be used to set up protective separation as a protective measure in accordance with VDE 0100.

As a safety transformer for the safe electrical isolation of the input and output sides. The transformer is suitable for creating SELV and PELV circuits because of the limit on the output voltage.

## Sample application



## Standards



Control transformer  
to: VDE 0570 Teil 2-2, DIN EN 61558-2-2, EN 61558-2-2, IEC 61558-2-2,  
UL 5085-1/-2, CSA 22.2 No.66  
Safety isolating transformer  
to: VDE 0570 Teil 2-6, DIN EN 61558-2-6, EN 61558-2-6, IEC 61558-2-6, UL  
5085-1/-2, CSA 22.2 No.66

## Approvals



UL 5085-1/-2, CSA 22.2 No.66

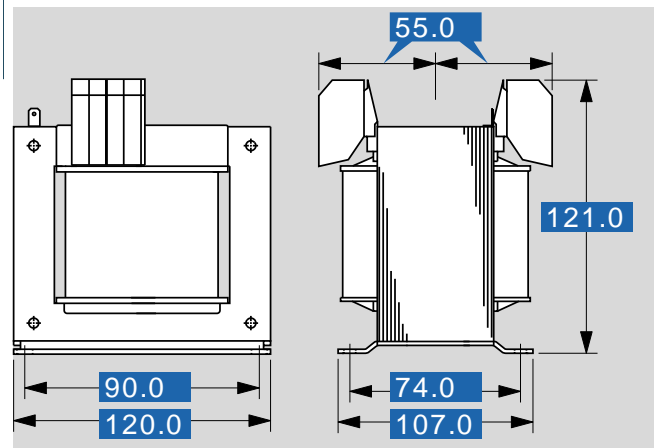


# Control- and safety isolating transformer

## STEU 320/24

Type	STEU 320/24
<b>Electrical data</b>	
<b>Input</b>	
Rated input voltage	230/400 Vac
Tappings Input	±15 V
Rated frequency	50 - 60 Hz
<b>Output</b>	
Rated output voltage	2 x 12 Vac
Rated power VDE (DB cos phi=1)	320 VA
Rated power VDE (KB cos phi=0.5)	1120 VA
No-load voltage (app. x factor)	1.07
Efficiency	90 %
<b>Standards</b>	
Classification	Control- and safety isolating transformer
<b>Approvals</b>	
Approvals	cURus
<b>Environment</b>	
Ambient temperature max.	40 °C
Type of cooling	self-cooling
<b>Safety and protection</b>	
Type	Open type
Class of Insulation System	VDE=B, UL=class 130
Protection index	IP 00
Safety class (prepared)	I
Short circuit strength	non-short-circuit proof
PRI Fusing recommendation by circuit breaker with tripping characteristic type 20 x I <sub>rated</sub> related to set)	
Setting range 230 ±15 Vac	1.00 - 1.60 A
Setting value 230 ±15 Vac	1.50 A
Setting range 400 ±15 Vac	0.63 - 1.00 A
Setting value 400 ±15 Vac	0.88 A
<b>Order numbers</b>	
<b>Order Number</b>	<b>STEU 320/24</b>

Type	STEU 320/24
<b>Mechanical data</b>	
<b>Terminal and mounting</b>	
Fixing method	Base plate
Fixing screws	M5
Terminals	Spring terminal, PE 6.3 x 0.8
<b>Measures and weights</b>	
Weight	4.30 kg





Below is a list of articles with direct links to our shop Electric Automation Network where you can see:

- Quote per purchase volume in real time.
- Online documentation and datasheets of all products.
- Estimated delivery time enquiry in real time.
- Logistics systems for the shipment of materials almost anywhere in the world.
- Purchasing management, order record and tracking of shipments.

To access the product, [click on the green button](#).

Product	Code	Reference	Product link
Control- and safety isolating- resp. isolating transformer Spring clamp terminals, dual purpose foot plate, PRI 230 and 400 Vac, SEC 63 - 2500 VA, 2 x 12 - 2 x 115 Vac	STEU32024	STEU 320/24	<a href="#">Buy on EAN</a>