



**Automatización Eléctrica**

Especialistas en Automatización

At the end of this document you will find links to products related to this catalog. You can go directly to our shop by clicking [HERE](#). [HERE](#)

# Control- and isolating transformer ST 130/69/23



Picture shows ST 160/23-23

## Advantages

- Very good switch-on behaviour thanks to reduced starting currents
- High performance for the volume thanks to compact design
- Primary side  $\pm 5\%$  tapings for voltage adjustment
- Very good corrosion protection and low noise thanks to BLOCKIMPEX vacuum impregnation
- Contact protected screw connection terminals complying with UVV BGV A3
- Simple mounting thanks to robust metal footplate with oval slots

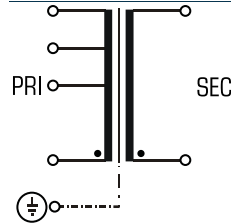
## Applications

As a control transformer for the electrical isolation of the input and output sides. The construction of the transformer to supply control systems according to VDE 0113 is designed.

As an isolating transformer for the safe electrical isolation of the input and output sides. The transformer may be used to set up protective separation as a protective measure in accordance with VDE 0100.

As a safety isolating transformer for the safe electrical isolation of the input and output sides. The transformer is suitable for creating SELV and PELV circuits because of the limit on the output voltage.

## Sample application



## Standards



Isolating transformer  
to: VDE 0570 Part 2-4, DIN EN 61558-2-4, EN 61558-2-4, IEC 61558-2-4  
Control transformer  
to: VDE 0570 Teil 2-2, DIN EN 61558-2-2, EN 61558-2-2, IEC 61558-2-2

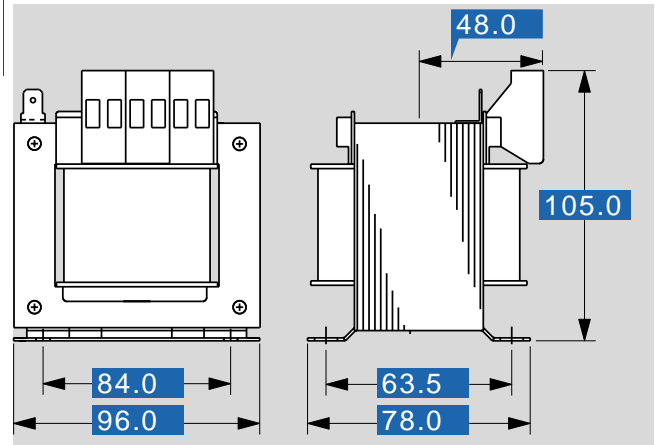
## Approvals



# Control- and isolating transformer ST 130/69/23

| Type   |                                  | ST 130/69/23                       |
|--|----------------------------------|------------------------------------|
| <b>Electrical data</b>   | Input                            |                                    |
|  | Rated input voltage              | 690 Vac                            |
|  | Tappings Input                   | ±5 %                               |
|  | Rated frequency                  | 50 - 60 Hz                         |
|  | Output                           |                                    |
|  | Rated output voltage             | 230 Vac                            |
|  | Rated power VDE (DB cos phi=1)   | 130 VA                             |
|  | Rated power VDE (KB cos phi=0.5) | 300 VA                             |
|  | No-load voltage (app. x factor)  | 1.10                               |
|  | Efficiency                       | 86 %                               |
|  | Standards                        |                                    |
|  | Classification                   | Control- and isolating transformer |
|  | Approvals                        | -                                  |
|  | Environment                      |                                    |
|  | Ambient temperature max.         | 40 °C                              |
|  | Type of cooling                  | self-cooling                       |
|  | Safety and protection            |                                    |
|  | Type                             | Open type                          |
|  | Class of Insulation System       | B                                  |
|  | Protection index                 | IP 00                              |
| Safety class (prepared)  | I                                |                                    |
| Short circuit strength   | non-short-circuit proof          |                                    |
| PRI Fusing recommendation by circuit breaker with tripping characteristic type 20 x I <sub>rated</sub> related to set) |                                  |                                    |
| Setting range  | 0.16 - 0.25 A                    |                                    |
| Setting value  | 0.23 A                           |                                    |
| Order numbers  |                                  |                                    |
| <b>Order Number</b>  | <b>ST 130/69/23</b>              |                                    |

| Type                   |                       | ST 130/69/23                       |
|------------------------|-----------------------|------------------------------------|
| <b>Mechanical data</b> | Terminal and mounting |                                    |
|                        | Terminals             | Screw-type terminals, PE 6.3 x 0.8 |
|                        | Fixing method         | Base plate                         |
|                        | Fixing screws         | M5                                 |
|                        | Measures and weights  |                                    |
|                        | Weight                | 2.30 kg                            |





**Automatización Eléctrica**  
Especialistas en Automatización

Below is a list of articles with direct links to our shop Electric Automation Network where you can see:

- Quote per purchase volume in real time.
- Online documentation and datasheets of all products.
- Estimated delivery time enquiry in real time.
- Logistics systems for the shipment of materials almost anywhere in the world.
- Purchasing management, order record and tracking of shipments.

To access the product, [click on the green button](#).

| <b>Product</b>   | <b>Code</b> | <b>Reference</b> | <b>Product link</b>        |
|--|-------------|------------------|----------------------------|
| Control- and safety isolating- resp. isolating transformer<br>PRI 110 - 690 Vac SEC 20 - 2500 VA, 12 - 230 V | ST1306923   | ST<br>130/69/23  | <a href="#">Buy on EAN</a> |