



**Automatización Eléctrica**

Especialistas en Automatización

At the end of this document you will find links to products related to this catalog. You can go directly to our shop by clicking [HERE](#). [HERE](#)

# Single-phase, primary switched mode power supply, Economy **PVSE 230/24-3**



Picture shows PVSE 230/24-10

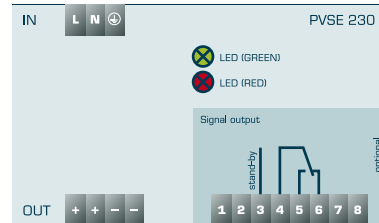
## Advantages

Stabilised and adjustable output voltage
Up to 200 % Real Power Boost for 4 seconds
Top Boost to trip conventional circuit breakers
DC OK signalling
Stand-by-input
Parallel connection option
Service-friendly spring-loaded connector system
Optional with active inrush current limiter

## Applications

Primary switched mode power supply with massive power reserves focussing on the key task of power supply.

## Sample application



## Standards

Primary switched mode power supply  
to UL 60950, UL 508

Safety:  
EN 61558-2-16, EN 60950-1

EMC:  
EN 61204-3

## Approvals



UL/CSA 60950 recognised, UL508 listed

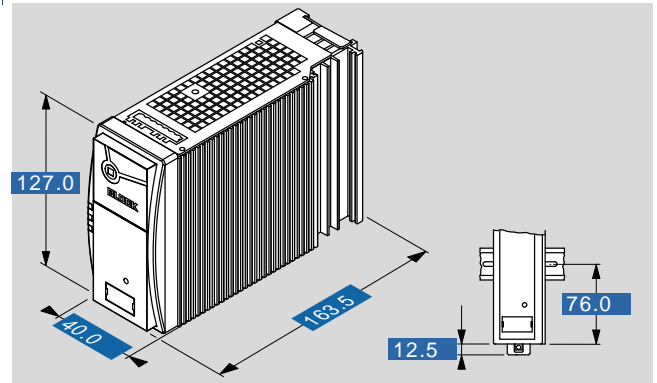


# Single-phase, primary switched mode power supply, Economy

## PVSE 230/24-3

Type	PVSE 230/24-3
<b>Electrical data</b>	
<b>Input</b>	
Input rated voltage	100 - 240 Vac
Input rated current (rated load)	0.86 / 0.51 Aac (110 / 230 Vac)
Input voltage range	85 - 264 Vac (120 - 373 Vdc)
Rated frequency range	44 Hz - 66 Hz / 0 Hz
Starting current limiter	<30 A, NTC
Input fuse internal	2 A (slow-blow)
Recommended back-up fuse (circuit breaker)	6 A, 10 A, 16 A, characteristics B, C
Harmonic correction	-
Mains buffering (rated load)	10 / 70 ms (110 / 230 Vac)
Transient surge voltage protection	Varistor
<b>Output</b>	
Output rated voltage	24 Vdc ±1 %
Output voltage range	22 - 29.5 Vdc
Resistance to reverse feed max.	35 Vdc
Output rated current	3.00 A
Parallel connection	Yes
Power Boost	6.5 A / 4 s (5.8 A / 8 s)
Overload behaviour	Constant current
max. Power loss idling/nominal load	3.0 / 8.8 W
Serial operation	Yes
Efficiency	typ. 87.7 %
Ripple factor	typ. 70 mVss
Top Boost	14 A / 25 ms
<b>Signaling</b>	
Stand-by-input	Yes
Power Good (DC OK)	LED green, LED red
Potential free signal contact	Yes
<b>Approvals</b>	
Approvals	cURus, cULus
<b>Environment</b>	
Storage temperature	-25 °C to +85 °C
Derating	-3 %/K > +50 °C, -5 %/Vac < 95 Vac
Ambient temperature	-10 °C to +70 °C
<b>Safety and protection</b>	
Safety class	I, with PE connection
Protection index	IP 20
<b>Accessory</b>	
Connector for signalling	PV-CON (optional)
Side DIN Rail mounting	PV-TS35M (optional)
Direct screw fastening plate for lateral mounting	PV-WB2 (optional)
<b>Order numbers</b>	
<b>Order Number</b>	<b>PVSE 230/24-3</b>

Type	PVSE 230/24-3
<b>Mechanical data</b>	
<b>Terminal and mounting</b>	
Terminals input, (spring clamp terminal, pluggable)	max. 2.5 mm <sup>2</sup>
Terminals output, (spring clamp terminal, pluggable)	max. 2.5 mm <sup>2</sup>
Terminals signalling, (spring clamp terminal, pluggable)	max. 0.5 mm <sup>2</sup>
Mounting position	vertical
Fixing method	DIN Rail system TH 35
<b>Measures and weights</b>	
Weight	0.80 kg



Subjects to change.



Below is a list of articles with direct links to our shop Electric Automation Network where you can see:

- Quote per purchase volume in real time.
- Online documentation and datasheets of all products.
- Estimated delivery time enquiry in real time.
- Logistics systems for the shipment of materials almost anywhere in the world.
- Purchasing management, order record and tracking of shipments.

To access the product, [click on the green button](#).

<b>Product</b>	<b>Code</b>	<b>Reference</b>	<b>Product link</b>
Single-phase, primary switched mode power supply, Economy PRI 100 - 240 Vac, SEC 6 - 15 A, 12/24/30/48 Vdc, AS-i	PVSE230243	PVSE 230/24-3	<a href="#">Buy on EAN</a>