



Automatización Eléctrica

Especialistas en Automatización

At the end of this document you will find links to products related to this catalog. You can go directly to our shop by clicking [HERE](#). [HERE](#)

Single-phase, primary switched mode power supply, Economy **PVSE 230/12-10**



Picture shows PVSE 230/24-10

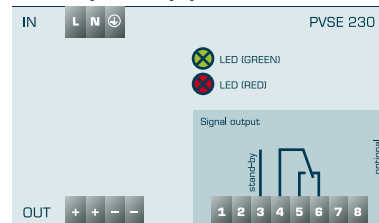
Advantages

Stabilised and adjustable output voltage
Up to 200 % Real Power Boost for 4 seconds
Top Boost to trip conventional circuit breakers
DC OK signalling
Stand-by-input
Parallel connection option
Service-friendly spring-loaded connector system
Optional with active inrush current limiter

Applications

Primary switched mode power supply with massive power reserves focussing on the key task of power supply.

Sample application



Standards

Primary switched mode power supply
to UL 60950, UL 508

Safety:
EN 61558-2-16, EN 60950-1

EMC:
EN 61204-3

Approvals



UL/CSA 60950 recognised, UL508 listed

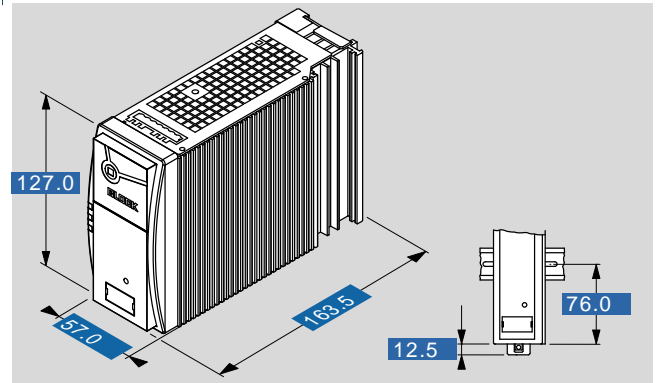


Single-phase, primary switched mode power supply, Economy

PVSE 230/12-10

Type	PVSE 230/12-10
Electrical data	
Input	
Input rated voltage	100 - 240 Vac
Input rated current (rated load)	1.7 / 0.97 Aac (110 / 230 Vac)
Input voltage range	85 - 264 Vac (120 - 373 Vdc)
Rated frequency range	44 Hz - 66 Hz / 0 Hz
Starting current limiter	<30 A, NTC
Input fuse internal	4 A (slow-blow)
Recommended back-up fuse (circuit breaker)	6 A, 10 A, 16 A, characteristics B, C
Harmonic correction	-
Mains buffering (rated load)	12 / 35 ms (110 / 230 Vac)
Transient surge voltage protection	Varistor
Output	
Output rated voltage	12 Vdc ±1 %
Output voltage range	11 - 18 Vdc
Resistance to reverse feed max.	25 Vdc
Output rated current	10.00 A
Parallel connection	Yes
Power Boost	20 A / 4 s (15 A / 8 s)
Overload behaviour	Constant current
max. Power loss idling/nominal load	5.0 / 14.6 W
Serial operation	Yes
Efficiency	typ. 87.8 %
Ripple factor	typ. 70 mVss
Top Boost	60 A / 25 ms
Signaling	
Stand-by-input	Yes
Power Good (DC OK)	LED green, LED red
Potential free signal contact	Yes
Approvals	
Approvals	cURus, cULus
Environment	
Storage temperature	-25 °C to +85 °C
Derating	-3 %/K > +50 °C, -5 %/Vac < 95 Vac
Ambient temperature	-10 °C to +70 °C
Safety and protection	
Safety class	I, with PE connection
Protection index	IP 20
Accessory	
Connector for signalling	PV-CON (optional)
Side DIN Rail mounting	PV-TS35M (optional)
Direct screw fastening plate for lateral mounting	PV-WB2 (optional)
Order numbers	
Order Number	PVSE 230/12-10

Type	PVSE 230/12-10
Mechanical data	
Terminal and mounting	
Terminals input, (spring clamp terminal, pluggable)	max. 2.5 mm ²
Terminals output, (spring clamp terminal, pluggable)	max. 2.5 mm ²
Terminals signalling, (spring clamp terminal, pluggable)	max. 0.5 mm ²
Mounting position	vertical
Fixing method	DIN Rail system TH 35
Measures and weights	
Weight	1.10 kg



Subjects to change.



Below is a list of articles with direct links to our shop Electric Automation Network where you can see:

- Quote per purchase volume in real time.
- Online documentation and datasheets of all products.
- Estimated delivery time enquiry in real time.
- Logistics systems for the shipment of materials almost anywhere in the world.
- Purchasing management, order record and tracking of shipments.

To access the product, [click on the green button.](#)

Product	Code	Reference	Product link
Single-phase, primary switched mode power supply, Economy PRI 100 - 240 Vac, SEC 6 - 15 A, 12/24/30/48 Vdc, AS-i	PVSE2301210	PVSE 230/12-10	Buy on EAN