

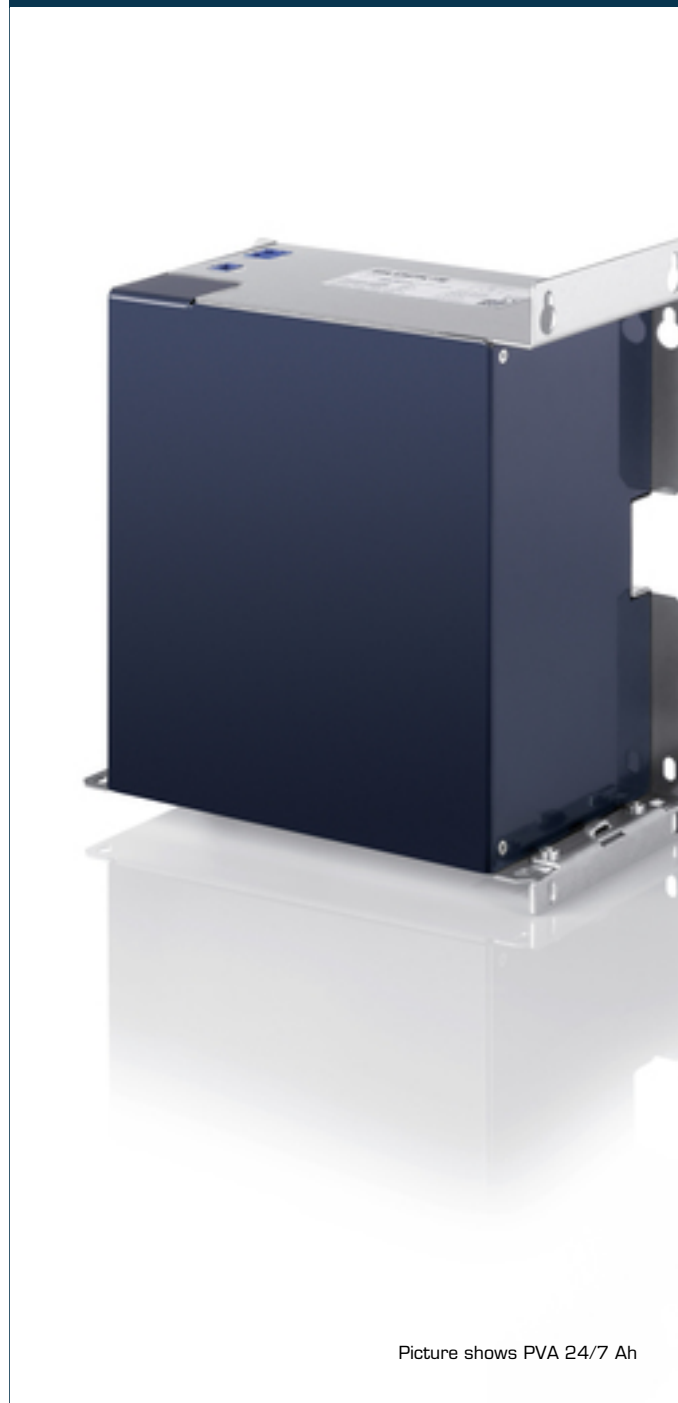


Automatización Eléctrica

Especialistas en Automatización

At the end of this document you will find links to products related to this catalog. You can go directly to our shop by clicking [HERE](#). [HERE](#)

Battery module PVA 24/3,2Ah



Picture shows PVA 24/7 Ah

Advantages

- Automatic detection of connected battery module
- Reliable early warning signal when battery life expectancy is declining
- Extended life expectancy through temperature controlled battery management
- Service-friendly spring-loaded connector system

Applications

Battery module for building a secure 24-Vdc power supply in case of power failure.

Approvals



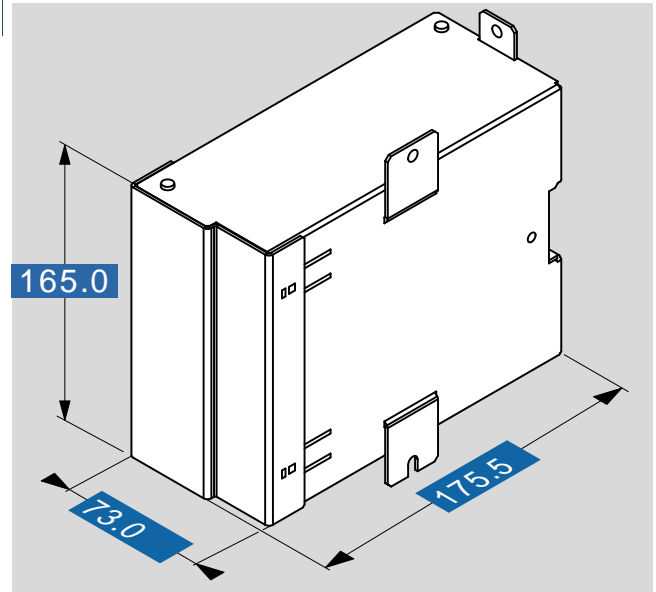
UL 508 (E219022)



Battery module PVA 24/3,2Ah

Type		PVA 24/3,2Ah
Electrical data	Input	
	Input rated voltage	24 Vdc
	Rated capacity	3.2 Ah
	Output	
	Output rated voltage	24 Vdc
	Output rated current	max. 20.00 A
	Internal fuse	25 A (slow-blow)
	Parallel connection	Yes
	Environment	
	Ambient temperature	-10 °C to +40 °C
	Storage temperature	-20 °C to +40 °C
	Service life	5 years at +20 °C
	Latest commissioning (only accumulators)	6 months at +30 °C to +40 °C
	Safety and protection	
	Protection index	IP 20
Safety class	III, without PE connection	
Order numbers		
Order Number	PVA 24/3,2Ah	

Type		PVA 24/3,2Ah
Mechanical data	Terminal and mounting	
	Terminals input / output (spring clamp terminal, pluggable)	max. 2.5 mm ²
	Terminals temperature measurement, (spring clamp terminal, pluggable)	max. 2.5 mm ²
	Fixing method	Straps at the case
Measures and weights		
	Weight	4.00 kg



Subjects to change.



Automatización Eléctrica
Especialistas en Automatización

Below is a list of articles with direct links to our shop Electric Automation Network where you can see:

- Quote per purchase volume in real time.
- Online documentation and datasheets of all products.
- Estimated delivery time enquiry in real time.
- Logistics systems for the shipment of materials almost anywhere in the world.
- Purchasing management, order record and tracking of shipments.

To access the product, [click on the green button](#).

Product	Code	Reference	Product link
Battery module Inspection free sealed lead acid accumulator	PVA2432Ah	PVA 24/3,2Ah	Buy on EAN