



**Automatización Eléctrica**

Especialistas en Automatización

At the end of this document you will find links to products related to this catalog. You can go directly to our shop by clicking [HERE](#). [HERE](#)

# Autotransformer JET 500



Picture shows JET 1000

## Advantages

Integrated short circuit and overload protection

Very high efficiency

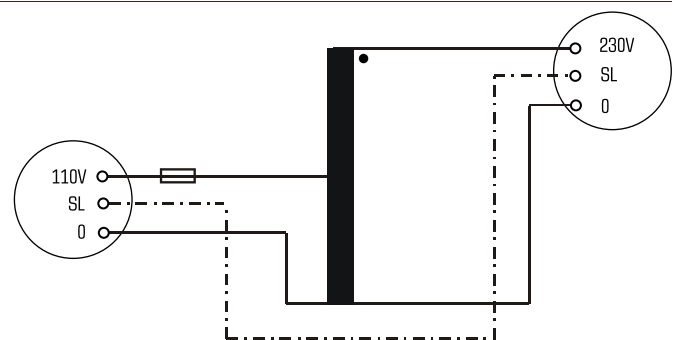
Very good moisture protection and low noise thanks to XtraDenseFill resin encapsulation

Carrying handle, mains connecting lead NEMA5-15 (USA) and socket for portable application

## Applications

Autotransformer for portable application for the adjustment of the voltage in 110 Vac networks to 230 Vac equipment when no electrical isolation is required.

## Sample application



## Standards



Autotransformer  
to: VDE 0570 Teil 2-13, DIN EN 61558-2-13, EN 61558-2-13,  
IEC 61558-2-13

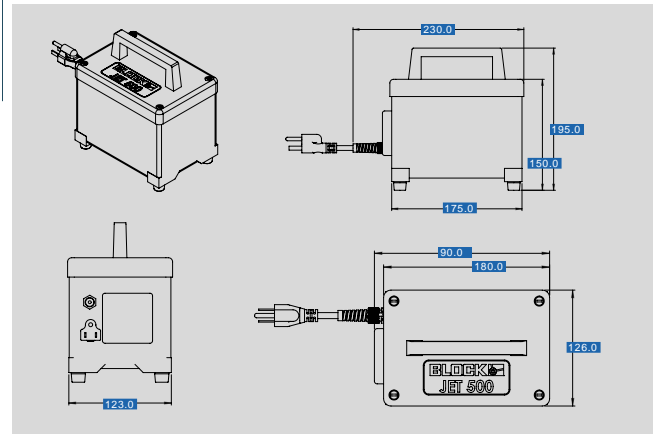
## Approvals



# Autotransformer JET 500

Type		JET 500
Electrical data	Input	
	Rated input voltage	110 Vac
	Rated frequency	50 - 60 Hz
	Output	
	Rated output voltage	230 Vac
	Rated Power	500 VA
	No-load voltage (app. x factor)	1.04
	Efficiency	91 %
	Environment	
	Ambient temperature max.	40 °C
Safety and protection		
Type	Resin encapsulated transformer	
Class of Insulation System	A	
Protection index	IP 22	
Safety class	I	
Short circuit strength	non-inherently short-circuit proof	
Order numbers		
Order Number	JET 500	

Type		JET 500
Mechanical data	Terminal and mounting	
	Terminals Input	Connecting cable with NEMAS-15 plug (USA)
	Terminals Output	Protective contact socket
	Measures and weights	
	Weight	6.70 kg



Subjects to change.



Below is a list of articles with direct links to our shop Electric Automation Network where you can see:

- Quote per purchase volume in real time.
- Online documentation and datasheets of all products.
- Estimated delivery time enquiry in real time.
- Logistics systems for the shipment of materials almost anywhere in the world.
- Purchasing management, order record and tracking of shipments.

To access the product, [click on the green button](#).

<b>Product</b>	<b>Code</b>	<b>Reference</b>	<b>Product link</b>
Autotransformer encapsulated, step up transformer 110 to 230 V, PRI 110 Vac, SEC 250 - 1000 VA, 230 Vac	JET500	JET 500	<a href="#">Buy on EAN</a>