



Automatización Eléctrica

Especialistas en Automatización

At the end of this document you will find links to products related to this catalog. You can go directly to our shop by clicking [HERE](#). [HERE](#)

Single-phase, non stabilised DC power supply GNC 24-10



Picture shows GNC 24-10

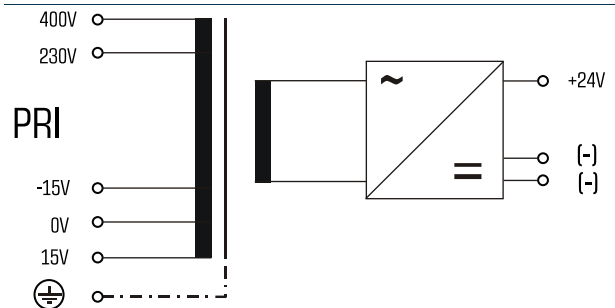
Advantages

Unsusceptible to voltage surges or transients
High overload capacity
DC OK signalling via LEDs
Capacitor accessories
Very good corrosion protection and low noise thanks to BLOCKIMPEX vacuum impregnation
Impulse loading MKT-capacitors
Varistor wiring
Contact protected screw connection terminals complying with UVV BGV A3
GNC 24-2,5 with combination footplate for bolted and rail mounting

Applications

Robust DC power supply for harsh industrial applications.

Sample application



Standards

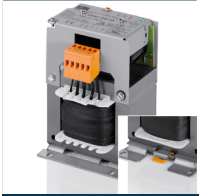


Non-stabilised dc power supply / Safety isolating transformer to VDE 0570 part 2-6, EN 61558-2-6, IEC 61558-2-6, UL 1012

Approvals



UL 5085-1/-2, CSA 22.2 No.66

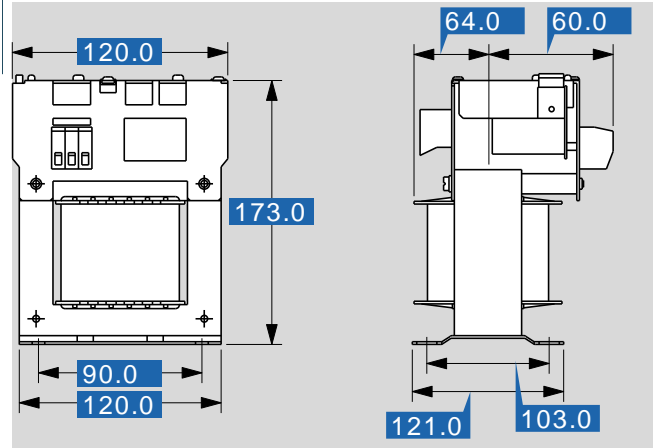


Single-phase, non stabilised DC power supply

GNC 24-10

Type		GNC 24-10
Electrical data	Input	
	Input rated voltage	230/400 Vac, ±15 Vac
	Rated frequency	50 - 60 Hz
	Output	
	Output rated voltage	24 Vdc
	Power	240.00 W
	Output rated current	10.00 A
	Ripple factor	3 %
	Approvals	
	Approvals	cURus (transformer only)
	Environment	
	Ambient temperature max.	60 °C
	Type of cooling	self-cooling
	Safety and protection	
	Type	Open type
	Class of Insulation System	VDE=B, UL=class 130
Protection index	IP 00	
Safety class (prepared)	I	
Short circuit strength	non-short-circuit proof	
Order numbers		
Order Number	GNC 24-10	

Type		GNC 24-10
Mechanical data	Terminal and mounting	
	Terminals	Screw-type terminals
	Fixing method	Base plate
	Fixing screws	M5
Measures and weights		
Weight	7.45 kg	





Automatización Eléctrica
Especialistas en Automatización

Below is a list of articles with direct links to our shop Electric Automation Network where you can see:

- Quote per purchase volume in real time.
- Online documentation and datasheets of all products.
- Estimated delivery time enquiry in real time.
- Logistics systems for the shipment of materials almost anywhere in the world.
- Purchasing management, order record and tracking of shipments.

To access the product, [click on the green button](#).

Product	Code	Reference	Product link
Single-phase, non stabilised DC power supply PRI 230 and 400 Vac, SEC 2.5 - 15 A, 24 Vdc	GNC2410	GNC 24-10	Buy on EAN