



**Automatización Eléctrica**

Especialistas en Automatización

At the end of this document you will find links to products related to this catalog. You can go directly to our shop by clicking [HERE](#). [HERE](#)

## Isolating transformer ETTK 1000



Picture shows ETTK 630

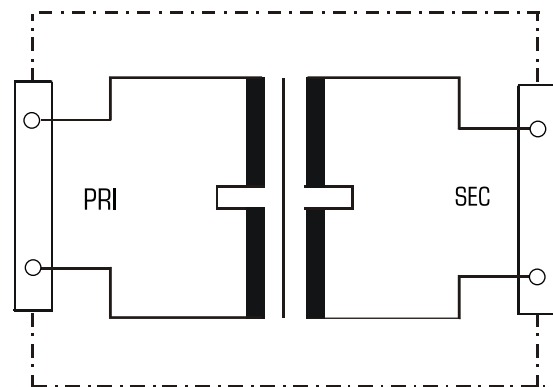
### Advantages

Safe galvanic isolation
Integrated short circuit and overload protection
Very good moisture protection and low noise thanks to resin encapsulation
High degree of protection
Carry handle, mains cable with safety plug, shockproof socket for portable application

### Applications

Isolating transformer for the safe electrical isolation of the input and output sides. The transformer may be used to set up protective separation as a protective measure in accordance with VDE 0100.

### Sample application



### Standards

Isolating transformer  
to: VDE 0570 Part 2-4, DIN EN 61558-2-4, EN 61558-2-4, IEC 61558-2-4

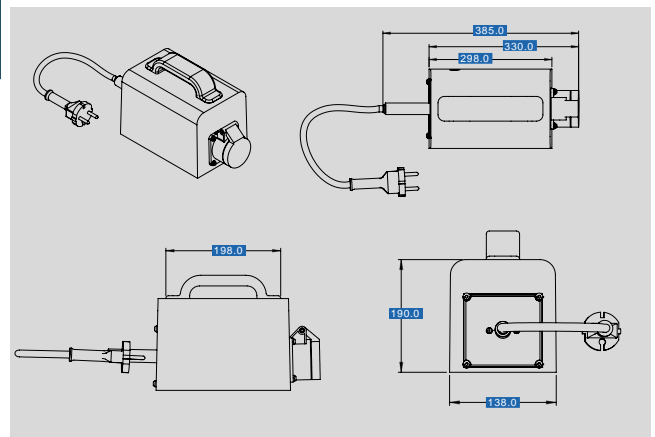
### Approvals



# Isolating transformer ETTK 1000

Type		ETTK 1000
Electrical data	Input	
	Rated frequency	50 - 60 Hz
	Rated input voltage	230 Vac
	Output	
	Rated output voltage	230 Vac
	Rated Power	1000 VA
	Environment	
	Ambient temperature max.	40 °C
	Safety and protection	
	Type	Resin encapsulated transformer
Class of Insulation System	A	
Protection index	IP 67	
Safety class	II	
Short circuit strength	non-inherently short-circuit proof	
Test voltage	4000 Vac, 50 Hz	
Order numbers		
<b>Order Number</b>	<b>ETTK 1000</b>	

Type		ETTK 1000
Mechanical data	Terminal and mounting	
	Terminals Input	Mains connecting cable with Schuko plug
	Terminals Output	Shockproof socket
Measures and weights		
Weight	21.00 kg	
Dimensions W x H x D	140 x 230 x 300 mm	





Below is a list of articles with direct links to our shop Electric Automation Network where you can see:

- Quote per purchase volume in real time.
- Online documentation and datasheets of all products.
- Estimated delivery time enquiry in real time.
- Logistics systems for the shipment of materials almost anywhere in the world.
- Purchasing management, order record and tracking of shipments.

To access the product, [click on the green button](#).

<b>Product</b>	<b>Code</b>	<b>Reference</b>	<b>Product link</b>
Isolating transformer encapsulated, portable PRI 230 Vac, SEC 160 - 2500 VA, 230 Vac	ETTK1000	ETTK 1000	<a href="#">Buy on EAN</a>