



Automatización Eléctrica

Especialistas en Automatización

At the end of this document you will find links to products related to this catalog. You can go directly to our shop by clicking [HERE](#). [HERE](#)

Autotransformer ESP 230/1,5



Picture shows ESP 230/10

Advantages

Low weight and small size (compared to isolating transformers)

Very high efficiency

Very good moisture protection and low noise thanks to BLOCKIMPEX vacuum impregnation

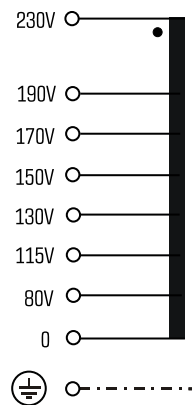
Contact protected screw connection terminals complying with UVV BGV A3

Simple mounting thanks to robust metal footplate with oval slots

Applications

Autotransformer for example for setting the speed of single-phase fan motors.

Sample application



Standards



Autotransformer
to: VDE 0570 Teil 2-13, DIN EN 61558-2-13, EN 61558-2-13,
IEC 61558-2-13

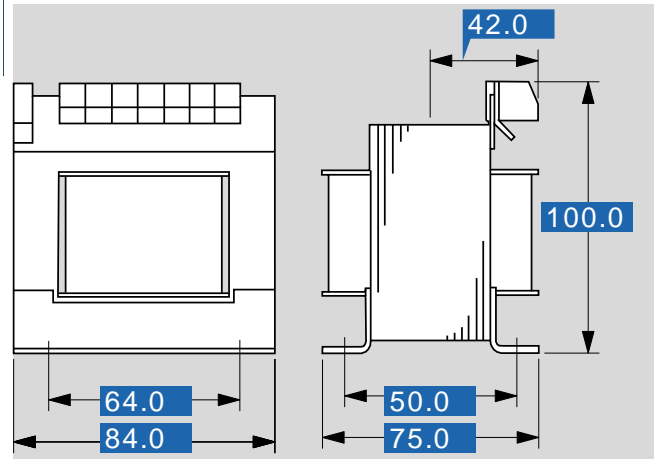
Approvals



Autotransformer ESP 230/1,5

Type		ESP 230/1,5
Electrical data	Input	
	Rated input voltage	230 Vac
	Rated frequency	50 - 60 Hz
	Output	
	Rated output voltage	80 Vac/115 Vac/130 Vac 150 Vac/170 Vac/190 Vac
	Rated output current	1.50 A
	Environment	
	Ambient temperature max.	40 °C
	Safety and protection	
	Type	Open type
Class of Insulation System	B	
Protection index	IP 00	
Safety class (prepared)	I	
Short circuit strength	non-short-circuit proof	
Order numbers		
Order Number		ESP 230/1,5

Type		ESP 230/1,5
Mechanical data	Terminal and mounting	
	Fixing method	Fixing rail
	Fixing screws	M4
	Terminals	Screw-type terminals, PE 6.3 x 0.8
	Measures and weights	
	Weight	1.50 kg



Subjects to change.



Automatización Eléctrica
Especialistas en Automatización

Below is a list of articles with direct links to our shop Electric Automation Network where you can see:

- Quote per purchase volume in real time.
- Online documentation and datasheets of all products.
- Estimated delivery time enquiry in real time.
- Logistics systems for the shipment of materials almost anywhere in the world.
- Purchasing management, order record and tracking of shipments.

To access the product, [click on the green button](#).

Product	Code	Reference	Product link
Autotransformer for single-phase fan motors, PRI 230 Vac, SEC 0.8 - 18 A, 80 - 310 Vac	ESP23015	ESP 230/1,5	Buy on EAN