



Automatización Eléctrica

Especialistas en Automatización

At the end of this document you will find links to products related to this catalog. You can go directly to our shop by clicking [HERE](#). [HERE](#)

Inrush current limiter **ESG 1**



Picture shows ESG 2

Advantages

Very good moisture protection thanks to XtraDenseFill resin encapsulation

May be used anywhere for stationary and mobile applications

ESG 1: Integrated safety plug and built-in safety socket

ESG 2: 1.4 m connecting cable with safety plug and built-in safety socket

Applications

Inrush current limiting option for limiting the inrush current in transformers with high switch-on or inrush currents (not suited for electrical machinery or motors).

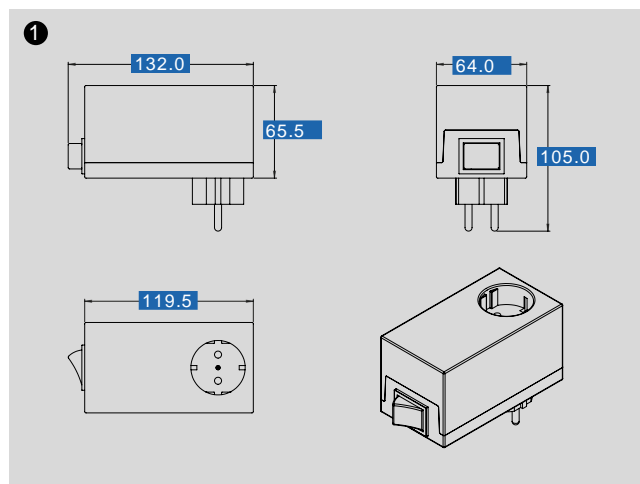
Approvals



Inrush current limiter ESG 1

Type		ESG 1
Electrical data	Operating data	
	Rated voltage	220 - 250 Vac
	Rated frequency	50 - 60 Hz
	Rated current	max. 16 A
	Environment	
	Ambient temperature max.	40 °C
	Safety and protection	
	Safety	integrated, non-replaceable thermal fuse in the input circuit
	Type	Resin encapsulated transformer
	Protection index	IP 20
	Safety class (prepared)	I
	Internal impedance	3.75 Ω
	Order numbers	
	Order Number	ESG 1

Type		ESG 1
Mechanical data	Terminal and mounting	
	Terminals Input	Integrated safety plug
	Terminals Output	Safety socket
	Measures and weights	
Weight	0.40 kg	
Dimensions W x H x D	64 x 132 x 65,5 mm	





Below is a list of articles with direct links to our shop Electric Automation Network where you can see:

- Quote per purchase volume in real time.
- Online documentation and datasheets of all products.
- Estimated delivery time enquiry in real time.
- Logistics systems for the shipment of materials almost anywhere in the world.
- Purchasing management, order record and tracking of shipments.

To access the product, [click on the green button](#).

Product	Code	Reference	Product link
Inrush current limiter encapsulated, build-in unit 220-250 V, max. 16 A	ESG1	ESG 1	Buy on EAN