



Automatización Eléctrica

Especialistas en Automatización

At the end of this document you will find links to products related to this catalog. You can go directly to our shop by clicking [HERE](#). [HERE](#)

Three-phase, non stabilised DC power supply DNC 24-4



Picture shows DNC 24-10

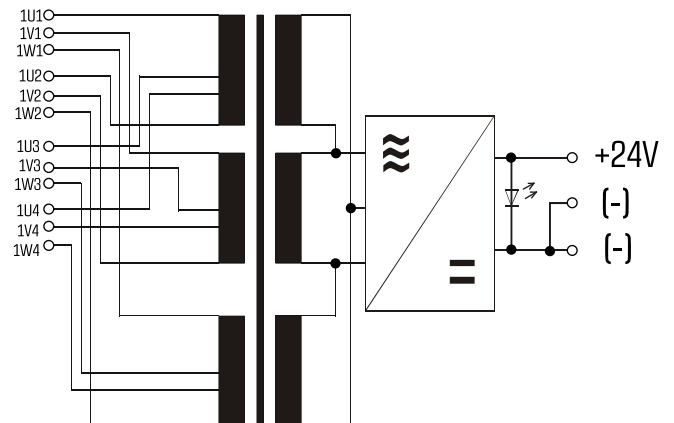
Advantages

| |
|---|
| Unsusceptible to voltage surges or transients |
| High overload capacity |
| DC OK signalling via LEDs |
| Capacitor accessories |
| Very good corrosion protection and low noise thanks to BLOCKIMPEX vacuum impregnation |
| Impulse loading MKT-capacitors |
| Varistor wiring |
| Contact protected screw connection terminals complying with UVV BGV A3 |

Applications

Rugged DC power supply for harsh industrial applications.

Sample application



Standards



Non-stabilised dc power supply / Safety isolating transformer to VDE 0570 part 2-6, EN 61558-2-6, IEC 61558-2-6, UL 1012

Approvals



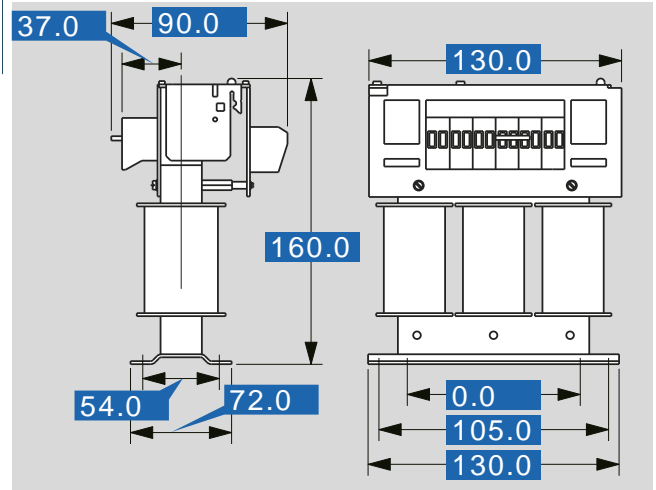
UL 5085-1/-2, CSA 22.2 No.66



Three-phase, non stabilised DC power supply DNC 24-4

| Type | | DNC 24-4 |
|----------------------------|-------------------------|--|
| Electrical data | Input | Delta-connection: 3x219 Vac/230 Vac/241 Vac Star-connection: 3x380 Vac/400 Vac/420 Vac |
| | Input rated voltage | 50 - 60 Hz |
| | Rated frequency | |
| | Output | |
| | Output rated voltage | 24 Vdc |
| | Power | 96.00 W |
| | Output rated current | 4.00 A |
| | Ripple factor | typ. 2 % |
| | Approvals | cURus (transformer only) |
| | Environment | |
| Ambient temperature max. | +60 °C | |
| Type of cooling | self-cooling | |
| Safety and protection | | |
| Type | Open type | |
| Class of Insulation System | VDE=B, UL=class 130 | |
| Protection index | IP 00 | |
| Safety class (prepared) | I | |
| Short circuit strength | non-short-circuit proof | |
| Order numbers | | |
| Order Number | DNC 24-4 | |

| Type | | DNC 24-4 |
|-----------------|-----------------------|----------------------|
| Mechanical data | Terminal and mounting | |
| | Terminals | Screw-type terminals |
| | Fixing method | Base plate |
| | Fixing screws | M5 |
| | Measures and weights | |
| | Weight | 2.50 kg |



Subjects to change.



Below is a list of articles with direct links to our shop Electric Automation Network where you can see:

- Quote per purchase volume in real time.
- Online documentation and datasheets of all products.
- Estimated delivery time enquiry in real time.
- Logistics systems for the shipment of materials almost anywhere in the world.
- Purchasing management, order record and tracking of shipments.

To access the product, [click on the green button](#).

| Product | Code | Reference | Product link |
|--|--------|-----------|----------------------------|
| Three-phase, non stabilised DC power supply PRI multiple voltage, SEC 5 - 50 A, 24 Vdc | DNC244 | DNC 24-4 | Buy on EAN |