



**Automatización Eléctrica**

Especialistas en Automatización

At the end of this document you will find links to products related to this catalog. You can go directly to our shop by clicking [HERE](#). [HERE](#)

# Safety isolating transformer **ACT 63**



Picture shows ACT 100

## Advantages

Integrated short circuit and overload protection thanks to temperature fuse in the input and fuse in the output (ACT 10 only temperature fuse)

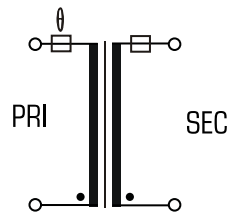
Permanent corrosion protection, high insulation value and maximum electrical reliability thanks to XtraDenseFill resin encapsulation

Stable plastic housing for rail mounting, e.g. in consumer units or meter mounting boards

## Applications

Safety isolating transformer for the safe electrical isolation of the input and output sides. The transformer is suitable for creating SELV and PELV circuits because of the limit on the output voltage.

## Sample application



## Standards



Safety isolating transformer  
to: VDE 0570 Part 2-6, DIN EN 61558-2-6, EN 61558-2-6, IEC 61558-2-6

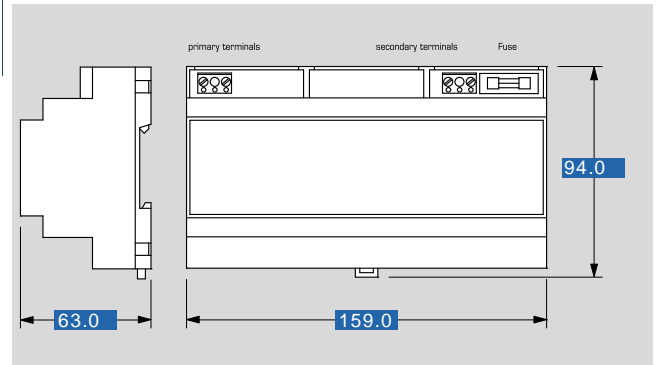
## Approvals



# Safety isolating transformer ACT 63

Electrical data	
<b>Type</b>	
ACT 63	
<b>Input</b>	
Rated input voltage	230 Vac
Rated frequency	50 - 60 Hz
<b>Output</b>	
Rated output voltage	24 Vac
Rated Power	63 VA
<b>Environment</b>	
Ambient temperature max.	25 °C
Type of cooling	self-cooling
<b>Safety and protection</b>	
Type	Resin encapsulated transformer
Class of Insulation System	B
Protection index	IP 00
Safety class (prepared)	II
Short circuit strength	non-inherently short-circuit proof
Test voltage	3750 Vac, 50 Hz
<b>Order numbers</b>	
<b>Order Number</b>	<b>ACT 63</b>

Mechanical data	
<b>Type</b>	
ACT 63	
<b>Terminal and mounting</b>	
Fixing method	Panel installation on mounting rails
Terminals	Screw-type terminal
<b>Measures and weights</b>	
Weight	1.93 kg
Dimensions W x H x D	94 x 63 x 159 mm



Subjects to change.



Below is a list of articles with direct links to our shop Electric Automation Network where you can see:

- Quote per purchase volume in real time.
- Online documentation and datasheets of all products.
- Estimated delivery time enquiry in real time.
- Logistics systems for the shipment of materials almost anywhere in the world.
- Purchasing management, order record and tracking of shipments.

To access the product, [click on the green button](#).

<b>Product</b>	<b>Code</b>	<b>Reference</b>	<b>Product link</b>
Safety isolating transformer panel installation on mountig rail, enclosed, PRI 230 Vac, SEC 10 - 100 VA, 24 Vac	ACT63	ACT 63	<a href="#">Buy on EAN</a>