

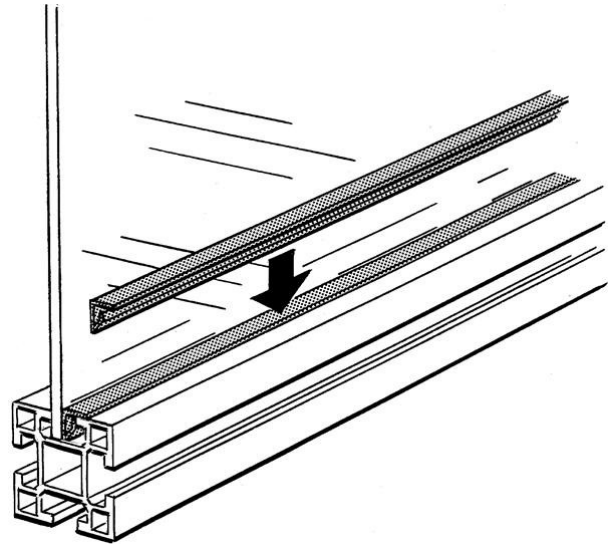


Electric Automation
Automation specialists

Reference: JSM PL2C
Code: 2TLA040038R0900

JSM PL2C Securing strip L=2000mm for sheets 4mm

Buy it at [Electric Automation Network](#)



Infill securing strip in black ABS plastic. L=2000 mm for 4 mm panels.

Ordering

EAN:	7350024462982
Minimum Order Quantity:	1 piece
Customs Tariff Number:	39269097

Dimensions

Product Net Width:	2.0 m
Product Net Height:	0.011 m
Product Net Depth:	0.01 m
Product Net Weight:	0.052 kg

Container Information

Package Level 1 Units:	1 piece
Package Level 1 Gross Weight:	0.052 kg

Additional Information

Product Main Type:	Quick-Guard
Product Name:	Safety Fencing Systems Quick Guard

Certificates and Declarations (Document Number)

Data Sheet, Technical Information:	2TLC172001C0202_chapter13
Declaration of Conformity - CE:	NoDecNee

Classifications

ETIM 4:	EC000800 - Cover strip for wall duct
ETIM 5:	EC002783 - Accessories for safety equipment
Object Classification Code:	U