

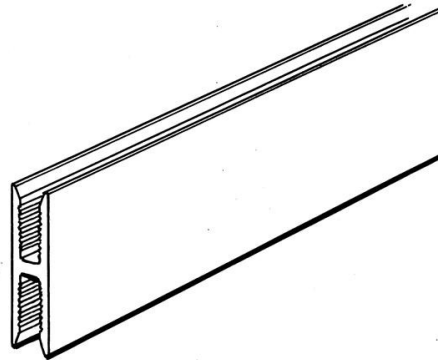


**Electric Automation**  
Automation specialists

Reference: JSM A13  
Code: 2TLA040037R5000

JSM A13 H-profile, meter

Buy it at Electric Automation Network



H-profile for Quick-Guard E. Natural anodized Aluminium. Cut to length, max 2020mm

### Ordering

EAN:	7350024462784
Minimum Order Quantity:	0.1 m
Customs Tariff Number:	76109090

### Dimensions

Product Net Width:	0.000 m
Product Net Height:	0.044 m
Product Net Depth:	0.0104 m
Product Net Weight:	0.452 kg

### Container Information

Package Level 1 Units:	0.1 m
Package Level 1 Gross Weight:	0.452 kg

### Additional Information

Product Main Type:	Quick-Guard
Product Name:	Safety Fencing Systems Quick Guard

### Certificates and Declarations (Document Number)

Data Sheet, Technical Information:	2TLC172001C0202_chapter13
Declaration of Conformity - CE:	NoDecNee

## Classifications

ETIM 4:	EC000386 - Support/Profile rail
ETIM 5:	EC000386 - Support/Profile rail
Object Classification Code:	U