

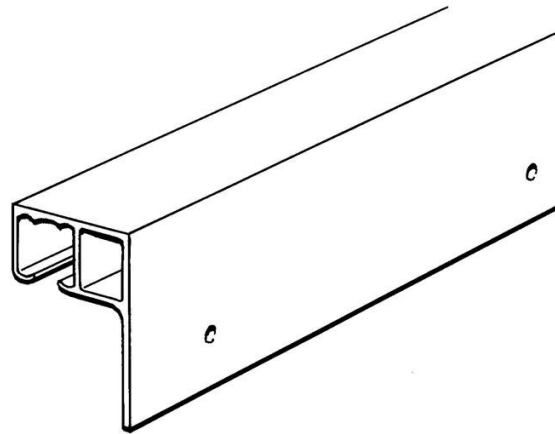


Electric Automation
Automation specialists

Reference: JSM A56
Code: 2TLA040037R4800

JSM A56-6000 Guiding rail, aluminium,
6000mm incl. screw

Buy it at Electric Automation Network



Guiding rails for slidingdoors. JSM D5 fit this rail. Natural anodized Aluminium, length 6000mm

Ordering

| | |
|-------------------------|---------------|
| EAN: | 7350024462760 |
| Minimum Order Quantity: | 1 piece |
| Customs Tariff Number: | 76109090 |

Dimensions

| | |
|---------------------|---------|
| Product Net Width: | 6.0 m |
| Product Net Height: | 0.079 m |
| Product Net Depth: | 0.056 m |
| Product Net Weight: | 9.51 kg |

Container Information

| | |
|-------------------------------|---------|
| Package Level 1 Units: | 1 piece |
| Package Level 1 Gross Weight: | 9.51 kg |

Additional Information

| | |
|--------------------|------------------------------------|
| Product Main Type: | Quick-Guard |
| Product Name: | Safety Fencing Systems Quick Guard |

Certificates and Declarations (Document Number)

| | |
|------------------------------------|---------------------------|
| Data Sheet, Technical Information: | 2TLC172001C0202_chapter13 |
| Declaration of Conformity - CE: | NoDecNee |

Classifications

| | |
|-----------------------------|----------------------------------|
| ETIM 4: | EC001093 - Sliding gate operator |
| ETIM 5: | EC001093 - Sliding gate operator |
| Object Classification Code: | U |