

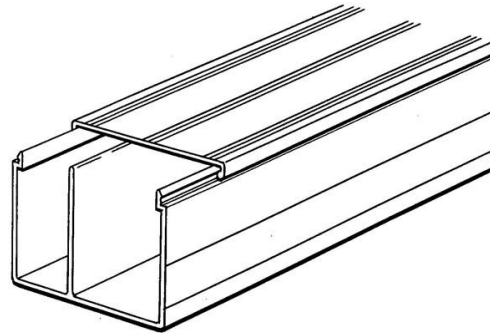


**Electric Automation**  
Automation specialists

Reference: JSM A88  
Code: 2TLA040037R3300

JSM A88 Cable duct 88x68 L=2m

Buy it at Electric Automation Network



Cable duct 88x68mm without holes. Natural anodized Aluminium. Length 2000mm

### Ordering

EAN:	7350024462623
Minimum Order Quantity:	1 piece
Customs Tariff Number:	76109090

### Dimensions

Product Net Width:	2.0 m
Product Net Height:	0.068 m
Product Net Depth:	0.088 m
Product Net Weight:	3.688 kg

### Container Information

Package Level 1 Units:	1 piece
Package Level 1 Gross Weight:	3.688 kg

### Additional Information

Product Main Type:	Quick-Guard
Product Name:	Safety Fencing Systems Quick Guard

### Certificates and Declarations (Document Number)

Data Sheet, Technical Information:	2TLC172001C0202_chapter13
Declaration of Conformity - CE:	NoDecNee

## Classifications

ETIM 4:	EC000059 - Installation duct
ETIM 5:	EC000059 - Installation duct
Object Classification Code:	U