

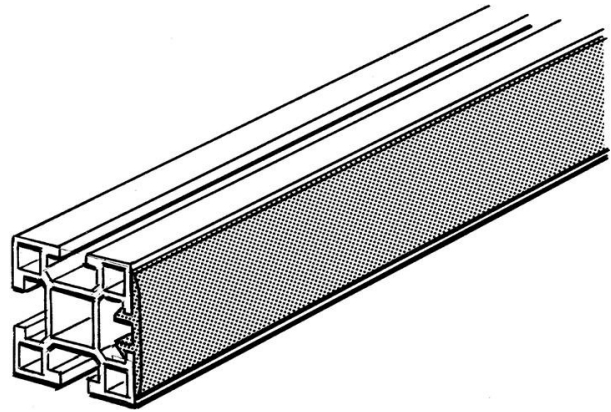


Electric Automation
Automation specialists

Reference: JSM T2A
Code: 2TLA040037R1900

JSM T2A Wide cover strip yellow

Buy it at [Electric Automation Network](#)



Cover strip in yellow PVC, soft material. 40mm wide, 25m/coil.

Ordering

EAN:	7350024462562
Minimum Order Quantity:	0.1 m
Customs Tariff Number:	39269097

Dimensions

Product Net Width:	0.000 m
Product Net Height:	0.0025 m
Product Net Depth:	0.040 m
Product Net Weight:	0.153 kg

Container Information

Package Level 1 Units:	0.1 m
Package Level 1 Gross Weight:	0.153 kg

Additional Information

Product Main Type:	Quick-Guard
Product Name:	Safety Fencing Systems Quick Guard

Certificates and Declarations (Document Number)

Data Sheet, Technical Information:	2TLC172001C0202_chapter13
Declaration of Conformity - CE:	NoDecNee

Classifications

ETIM 4:	EC000800 - Cover strip for wall duct
ETIM 5:	EC000800 - Cover strip for wall duct
Object Classification Code:	U