

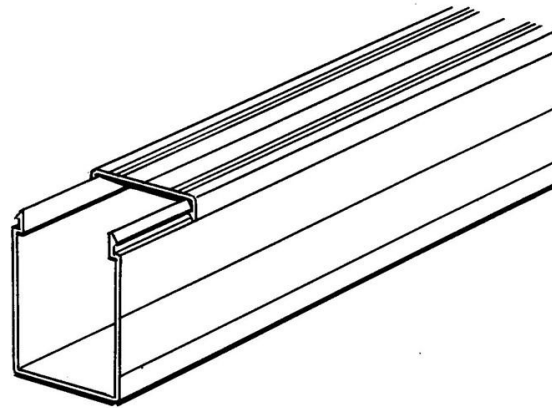


Electric Automation
Automation specialists

Reference: JSM A60A
Code: 2TLA040037R1500

JSM A60A Cable duct 44x60 incl. cap, L= 2000mm

[Buy it at Electric Automation Network](#)



Cable duct 44x60mm with holes c-c =500mm diameter=5. Natural anodized Aluminium. Length 2000mm

Ordering

EAN:	7350024462548
Minimum Order Quantity:	1 piece
Customs Tariff Number:	76109090

Dimensions

Product Net Width:	2.0 m
Product Net Height:	0.060 m
Product Net Depth:	0.044 m
Product Net Weight:	1.845 kg

Container Information

Package Level 1 Units:	1 piece
Package Level 1 Gross Weight:	1.845 kg

Additional Information

Product Main Type:	Quick-Guard
Product Name:	Safety Fencing Systems Quick Guard

Certificates and Declarations (Document Number)

Data Sheet, Technical Information:	2TLC172001C0202_chapter13
Declaration of Conformity - CE:	NoDecNee

Classifications

ETIM 4:	EC000059 - Installation duct
ETIM 5:	EC000059 - Installation duct
Object Classification Code:	U