

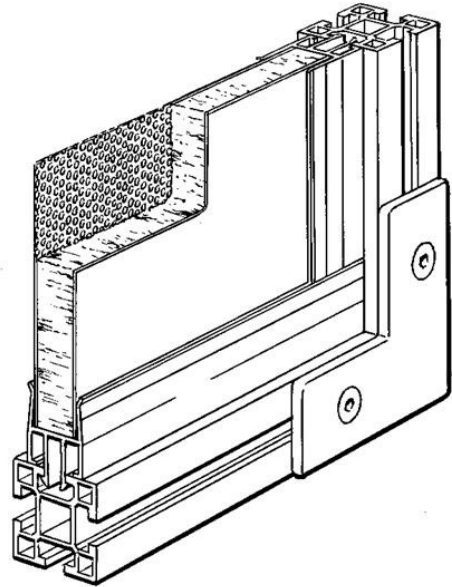


**Electric Automation**  
Automation specialists

Reference: JSM AS1  
Code: 2TLA040037R0900

JSM AS1 Al-Profile for 25mm sound-absorbing panel, L=2000mm

Buy it at [Electric Automation Network](#)



Mounting profile for 25mm sound-absorbing panels. Natural anodized Aluminium, length 2000mm

### Ordering

EAN:	7350024462494
Minimum Order Quantity:	1 piece
Customs Tariff Number:	76109090

### Dimensions

Product Net Width:	2.0 m
Product Net Height:	0.044 m
Product Net Depth:	0.03 m
Product Net Weight:	1.09 kg

### Container Information

Package Level 1 Units:	1 piece
Package Level 1 Gross Weight:	1.09 kg

### Additional Information

Product Main Type:	Quick-Guard
Product Name:	Safety Fencing Systems Quick Guard

### Certificates and Declarations (Document Number)

Data Sheet, Technical Information:	2TLC172001C0202_chapter13
Declaration of Conformity - CE:	NoDecNee

### Classifications

ETIM 4:	EC000482 - Mounting element for support/profile rail
ETIM 5:	EC002849 - Accessories for gate-/roller-blind drive
Object Classification Code:	U