

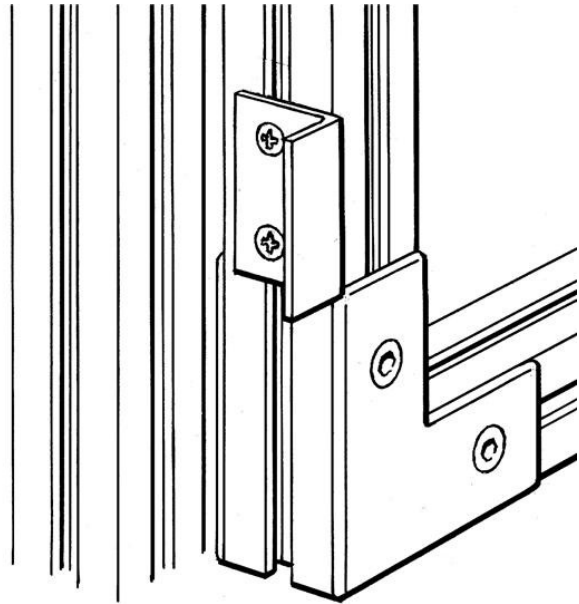


**Electric Automation**  
Automation specialists

Reference: JSM D13A  
Code: 2TLA040033R2600

JSM D13A Doorstop angular

Buy it at Electric Automation Network



Door stop for conventional doors and hatches in Natural anodized aluminium.

### Ordering

EAN:	7350024462258
Minimum Order Quantity:	1 piece
Customs Tariff Number:	76109090

### Dimensions

Product Net Width:	0.04 m
Product Net Height:	0.06 m
Product Net Depth:	0.025 m
Product Net Weight:	0.056 kg

### Container Information

Package Level 1 Units:	1 piece
Package Level 1 Gross Weight:	0.056 kg

### Additional Information

Product Main Type:	Quick-Guard
--------------------	-------------

Product Name:	Safety Fencing Systems Quick Guard
---------------	------------------------------------

## Certificates and Declarations (Document Number)

Data Sheet, Technical Information:	2TLC172001C0202_chapter13
Declaration of Conformity - CE:	NoDecNee

## Classifications

ETIM 4:	EC002626 - Component for door (switchgear cabinet)
ETIM 5:	EC002783 - Accessories for safety equipment
Object Classification Code:	X